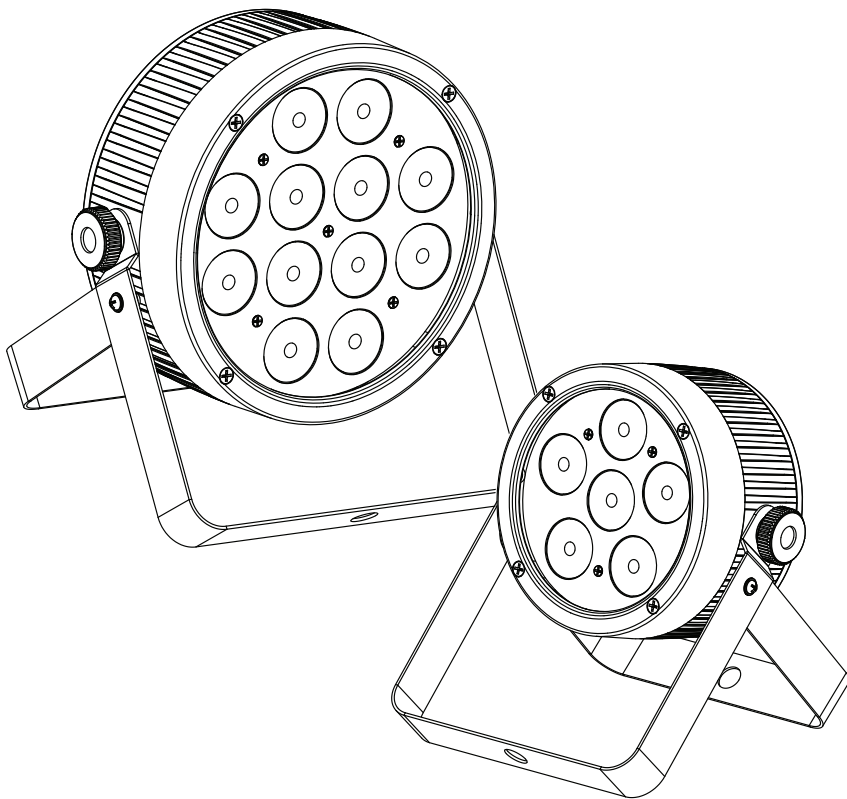

VENUE™

by **PROLINE**

THINTRI 38 LED **THINTRI 64 LED**

OWNER'S MANUAL



The Venue by Proline ThinTri 38 and ThinTri 64 LED Par lights are extra bright, vibrant, lightweight and compact which makes them great lights for clubs, parties, Houses of Worship and mobile DJs. These units can be used as a “stand alone” fixtures in sound-activated mode, or controlled via DMX controllers.

TABLE OF CONTENTS

BEFORE YOU BEGIN	3	DMX Channel Assignments and Values	11
What Is Included	3	8-CH	11
Unpacking Instructions.....	3	3-CH	11
Claims	3	Configuration (Standalone).....	12
Text Conventions.....	3	Automatic Programs	12
Symbols	3	Auto-Program Speed.....	12
Product at a Glance	3	Sound-Active Mode.....	12
Safety Instructions	4	Sound Sensitivity.....	12
INTRODUCTION	5	Preset Color Mode	12
Product Overview.....	5	Custom Color Mixing.....	13
Product Dimensions.....	6	Dimmer Speed	13
SETUP	7	Master/Slave Mode (wired)	13
AC Power	7	MAINTENANCE	14
Fuse Replacement.....	7	TECHNICAL SPECIFICATIONS	15
Power Linking.....	7	CUSTOMER SUPPORT	16
Mounting	8	WARRANTY	16
Orientation.....	8		
Rigging.....	8		
OPERATION	9		
Control Panel Operation	9		
Menu Map.....	9		
DMX Linking.....	10		
Configuration (DMX).....	10		
DMX Personality and Starting Address.....	10		

BEFORE YOU BEGIN

WHAT IS INCLUDED

- ThinTri 38 or ThinTri 64 LED Lights
- Power Cord

UNPACKING INSTRUCTIONS

Carefully unpack the product immediately and check the container to make sure all the parts are in the package and are in good condition.

Claims

If the box or the contents (the product and included accessories) appear damaged from shipping, or show signs of mishandling, notify the carrier immediately, not Venue by Proline. Failure to report damage to the carrier immediately may invalidate your claim. In addition, keep the box and contents for inspection. For other issues, such as missing components or parts, damage not related to shipping, or concealed damage, file a claim with Venue by Proline within 7 days of delivery.

TEXT CONVENTIONS

CONVENTION	MEANING
1-512	A range of values
50/60	A set of values of which only one can be chosen
Settings	A menu option not to be modified
MENU > Settings	A sequence of menu options to be followed
<ENTER>	A key to be pressed on the product's control panel
ON	A value to be entered or selected

SYMBOLS

SYMBOL	MEANING
	Electrical warning. Not following these instructions may cause electrical damage to the product, accessories, or the user.
	Critical installation, configuration, or operation information. Not following these instructions may make the product not work, cause damage to the product, or cause harm to the operator.
	Important installation or configuration information. The product may not function correctly if this information is not used.
	Useful information.

PRODUCT AT A GLANCE

Use on Dimmer		Sound-Active		Master/Slave		Auto-ranging Power Supply		User-Serviceable	
Outdoor Use		DMX		Auto Programs		Replaceable Fuse			

SAFETY INSTRUCTIONS

Please read the following Safety Notes carefully before working with the product. The Notes include important safety information about installation, usage, and maintenance.



- Always connect the product to a grounded circuit to avoid the risk of electrocution.
- Always disconnect the product from the power source before cleaning or replacing the fuse.
- Avoid direct eye exposure to the light source while the product is on.
- Make sure the power cord is not crimped or damaged.
- Never disconnect the product from power cord by pulling or tugging on the cord.
- If mounting the product overhead, always secure to a fastening device using a safety cable.
- Make sure there are no flammable materials close to the product when operating.
- Do not touch the product's housing when operating because it may be very hot.



- The product is not intended for permanent installation.
- Always make sure that the voltage of the outlet to which you are connecting the product is within the range stated on the decal or rear panel of the product.
- The product is for indoor use only! To prevent risk of fire or shock, do not expose the product to rain or moisture.
- Always install the product in a location with adequate ventilation, at least 20 in (50 cm) from adjacent surfaces.
- Be sure that no ventilation slots on the product's housing are blocked.
- Never connect the product to a dimmer.
- Make sure to replace the fuse with another of the same type and rating.
- Never carry the product from the power cord or any moving part. Always use the hanging/mounting bracket.
- The maximum ambient temperature (T_a) is 104 °F (40 °C). Do not operate the product at higher temperatures.
- In the event of a serious operating problem, stop using the product immediately.
- Never try to repair the product. Repairs carried out by unskilled people can lead to damage or malfunction. Please contact the nearest authorized technical assistance center.
- To eliminate unnecessary wear and improve its lifespan, during periods of non-use completely disconnect the product from power via breaker or by unplugging it.

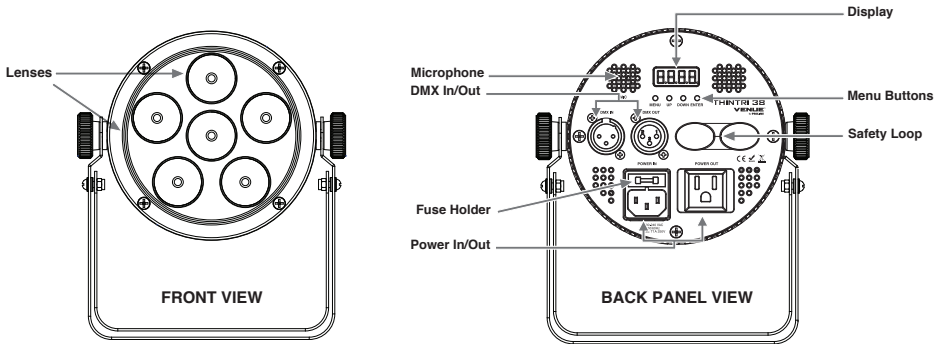


- Keep this User Manual for future use. If you sell the product to someone else, be sure that they also receive this document.

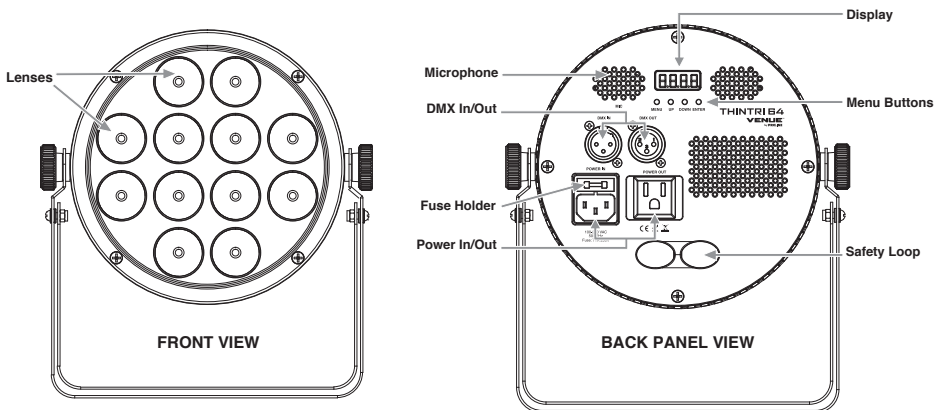
INTRODUCTION

PRODUCT OVERVIEW

THINTRI 38 LED

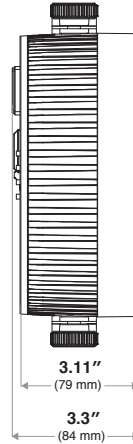
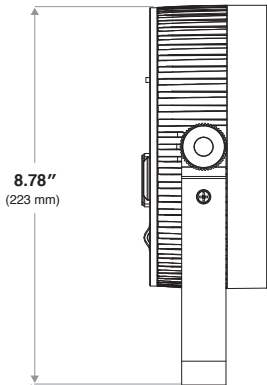


THINTRI 64 LED

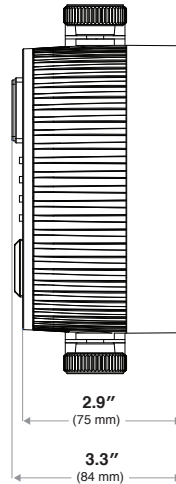
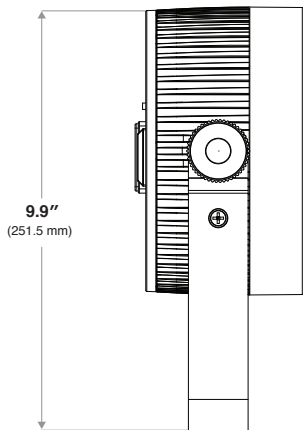


PRODUCT DIMENSIONS

THINTRI 38 LED



THINTRI 64 LED



SETUP

AC POWER

The ThinTri 38/64 have an auto-ranging power supply and it can work with an input voltage range of 100 to 240 VAC, 50/60 Hz. To determine the product's power requirements (circuit breaker, power outlet, and wiring), use the current value listed on the product's back panel, or refer to the product's specifications chart. The listed current rating indicates the product's average current draw under normal conditions.



Always connect the product to a protected circuit (circuit breaker or fuse). Make sure the product has an appropriate electrical ground to avoid the risk of electrocution or fire.

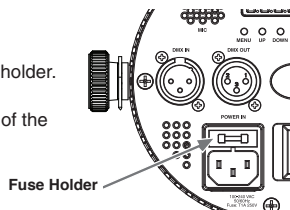
To eliminate unnecessary wear and improve its lifespan, during periods of non-use completely disconnect the product from power via breaker or by unplugging it.



Never connect the product to a rheostat (variable resistor) or dimmer circuit, even if the rheostat or dimmer channel serves only as a 0 to 100% switch.

FUSE REPLACEMENT

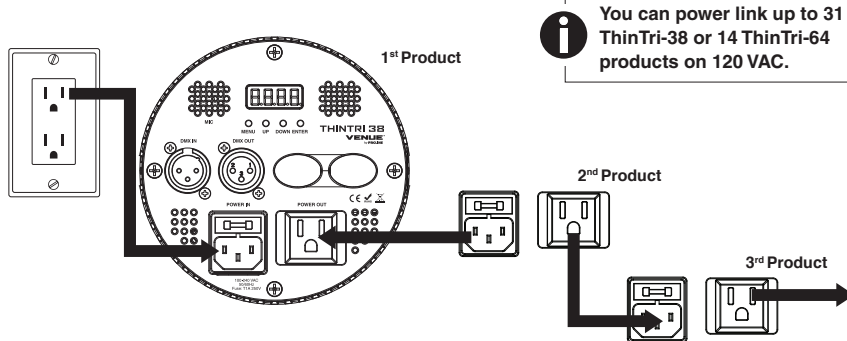
1. Wedge the tip of a flat-head screwdriver into the slot of the fuse holder.
2. Pry the fuse holder out of the housing.
3. Remove the blown fuse from the holder and replace with a fuse of the exact same type and rating.
4. Insert the fuse holder back in place and reconnect power.



Disconnect the product from the power outlet before replacing the fuse.

Power Linking

The product provides power linking via the Edison outlet located in the back of the product. Please see the diagram below for further explanation.



MOUNTING

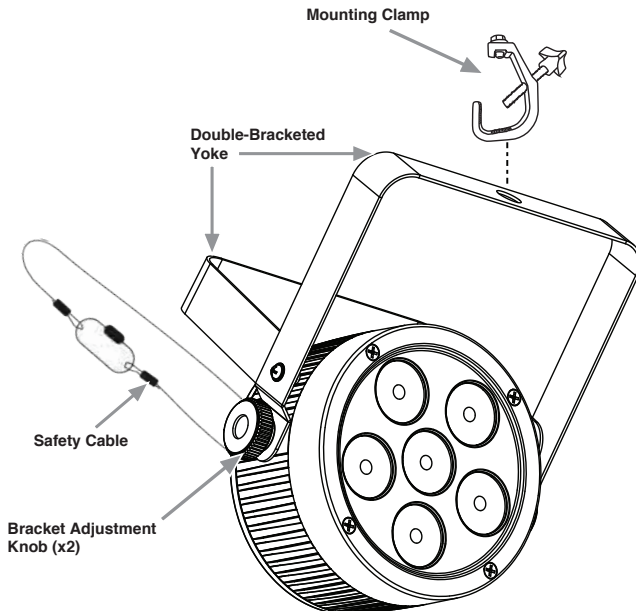
Before mounting the product, read and follow the safety recommendations indicated in the Safety Notes.

Orientation

The ThinTri 38/64 may be mounted in any position; however, make sure adequate ventilation is provided around the product.

Rigging

- Before deciding on a location for the product, always make sure there is easy access to the product for maintenance and programming purposes.
- Make sure that the structure onto which you are mounting the product can support the product's weight. See the Technical Specifications for weight information.
- When mounting the product overhead, always use a safety cable. Mount the product securely to a rigging point, whether an elevated platform or a truss.
- When rigging the product onto a truss, use a mounting clamp of appropriate weight capacity.
- When power linking multiple products, mount the products close enough for power linking cables to reach.
- The bracket adjustment knobs allow for directional adjustment when aiming the product to the desired angle. Only loosen or tighten the bracket knobs manually. Using tools could damage the knobs.



OPERATION

CONTROL PANEL OPERATION

To access the control panel functions, use the four buttons located underneath the display. Please refer to the [Product Overview](#) to see the button locations on the control panel.

BUTTON	FUNCTION
<MENU>	Press to find an operation mode or to back out of the current menu option
<UP>	Press to scroll up the list of options or to find a higher value
<DOWN>	Press to scroll down the list of options or to find a lower value
<ENTER>	Press to activate a menu option or a selected value

MENU MAP

MODE	PROGRAMMING STEPS	DESCRIPTION
3-CH	d 1-d512	3-channel DMX mode
8-CH		8-channel DMX mode
C (PRESET COLORS)	C1	Static red
	C2	Static green
	C3	Static blue
	C4	Static cyan
	C5	Static magenta
	C6	Static yellow
	C7	Static white
P-- (AUTO PROGRAM)	P1	3-color program (snap)
	P2	3-color program (pulse)
	P3	7-color program (snap)
	P4	7-color program (fading)
S--	S 1-S100	Program speed for P1-P4
Snd (SOUND-ACTIVE)	Snd1	3-color program (sound-active)
	Snd2	7-color program (sound-active)
SenS	u 0-u100	Sound Sensitivity Setting
U-- (CUSTOM COLORS)	r000-r255	Custom static colors Combines red, green, and blue
	g000-g255	
	b000-b255	
dM	OFF	Dimmer speed mode, fast to slow, or off
	dM1	
	dM2	
	dM3	

DMX LINKING

The ThinTri 38/64 works with a DMX controller.

Configuration (DMX)

Set the product in DMX 3-CH or 8-CH mode to control with a DMX controller.

1. Connect the product to a suitable power outlet.
 2. Connect a DMX cable from the DMX output of the DMX controller to the DMX input socket on the product.
-

DMX PERSONALITY AND STARTING ADDRESS

When selecting a starting DMX address, always consider the number of DMX channels the selected DMX mode uses. If you choose a starting address that is too high, you could restrict the access to some of the product's channels. The ThinTri 64/38 uses up to 8 DMX channels in an 8-CH DMX mode, which defines the highest configurable address to **505**.

To select the starting address, do the following:

1. Press **<MENU>** repeatedly until **3-CH** or **8-CH** shows on the display.
2. Press **<ENTER>** and **d 1-d512** will show on the display.
3. Use **<UP>** or **<DOWN>** to select the starting address.
4. Press **<ENTER>**.

DMX CHANNEL ASSIGNMENTS AND VALUES

8 Channel

CHANNEL	FUNCTION	VALUE	PERCENT/SETTING
1	RED	000 → 255	0 – 100%
2	GREEN	000 → 255	0 – 100%
3	BLUE	000 → 255	0 – 100%
4	COLOR MACROS (Overrides Ch. 1–3)	000 → 015	No function
		016 → 255	Color macros
5	STROBE (when CH6 is 000–031)	000 → 015	No function
		016 → 255	Slow to fast
	SPEED (when CH6 is 032–223)	000 → 255	Slow to fast
		SOUND SENSITIVITY (when CH6 is 224–255)	000 → 010
	011 → 255		Control the sound sensitivity level
6	MODE	000 → 031	No function
		032 → 063	Pulse effect 0 – 100%
		064 → 095	Pulse effect 100% – 0
		096 → 127	Pulse effect 100% – 0 – 100%
		128 → 159	Auto fade transition
		160 → 191	Auto snap transition (3 colors)
		192 → 223	Auto snap transition (7 colors)
		224 → 255	Sound-active mode
7	DIMMER	000 → 255	0 – 100%
8	DIMMER SPEED	000 → 051	Dimmer speed mode OFF
		052 → 101	Dimmer speed mode OFF
		102 → 152	Dimmer speed mode 1 (fast speed)
		153 → 203	Dimmer speed mode 2 (medium speed)
		204 → 255	Dimmer speed mode 3 (slow speed)

3 Channel

CHANNEL	FUNCTION	VALUE	PERCENT/SETTING
1	RED	000 → 255	0 – 100%
2	GREEN	000 → 255	0 – 100%
3	BLUE	000 → 255	0 – 100%

CONFIGURATION (STANDALONE)

Set the product in one of the standalone modes to control without a DMX controller. Connect the product to a suitable power outlet.



Never connect the product to a rheostat (variable resistor) or dimmer circuit, even if the rheostat or dimmer channel serves only as a 0 to 100% switch. Automatic Programs.

(To run the ThinTri38/64 in automatic mode, follow the instructions below):

AUTOMATIC PROGRAMS

To run the ThinTri38/64 in automatic mode, follow the instructions below:

1. Press **<MENU>** repeatedly until P-- shows on the display.
2. Press **<ENTER>**.
3. Use **<UP>** and **<DOWN>** to select an auto program (P 1–P 4).
4. Press **<ENTER>**.

AUTO-PROGRAM SPEED

To change the auto-program speed on the ThinTri38/64, do the following:

1. Press **<MENU>** repeatedly until S-- shows on the display.
2. Use **<UP>** and **<DOWN>** to increase or decrease the program speed (S 1–S100).
3. Press **<ENTER>**. The product will return to the last selected mode.

SOUND-ACTIVE MODE

To run the ThinTri38/64 in sound-active mode, do the following:

1. Press **<MENU>** repeatedly until Snd shows on the display.
2. Press **<ENTER>**.
3. Use **<UP>** and **<DOWN>** to select a sound-active program (Snd1 or Snd2).
4. Press **<ENTER>**.

The product will only respond to low frequencies of music (bass and drums).

SOUND SENSITIVITY

To change the sound sensitivity on the ThinTri38/64, follow the instructions below:

1. Press **<MENU>** repeatedly until SenS shows on the display.
2. Use **<UP>** and **<DOWN>** to increase or decrease the sound sensitivity (u 0–u100).
3. Press **<ENTER>**. The product will return to the last selected mode.

PRESET COLOR MODE

To run the ThinTri38/64 in preset color mode, follow the instructions below:

1. Press **<MENU>** repeatedly until C-- shows on the display.
2. Press **<ENTER>**.
3. Use **<UP>** and **<DOWN>** to select a static color (C 1–C 7).
4. Press **<ENTER>**.

CUSTOM COLOR MIXING

To custom mix a static color, follow the instructions below:

1. Press **<MENU>** repeatedly until U-- shows on the display.
2. Press **<ENTER>** and one of the following will show on the display:
 - r___ (red)
 - g____ (green)
 - b___ (blue)
3. Press **<ENTER>** to cycle through the color settings.
4. When the desired color shows on the display, use **<UP>** or **<DOWN>** to increase or decrease the color value.
5. Repeat steps 3 and 4 until the product outputs as desired.

DIMMER SPEED

To change dimmer speed on the ThinTri38/64, do the following:

1. Press **<MENU>** repeatedly until dIM shows on the display.
 2. Press **<ENTER>**.
 3. Use **<UP>** and **<DOWN>** to select:
 - **dIM1** (fast)
 - **dIM2** (medium)
 - **dIM3** (slow)
- or
- **OFF.**
4. Press **<ENTER>**

MASTER/SLAVE MODE

The Master/Slave mode allows a single ThinTri38/64 product (the “Master”) to control the actions of one or more ThinTri38/64 products (the “Slaves”) without the need of a DMX controller. The Master product will be set to operate in Stand-Alone mode, while the Slave products will be set to operate in Slave mode. Once set and connected, the Slave products will operate in unison with the Master product.

Configure the products as indicated below.

Slave products:

1. Press **<MENU>** repeatedly until 3-CH or 8-CH shows on the display.
2. Press **<ENTER>** to accept.
3. Set the DMX address to d 1.
4. Connect the DMX input of the first Slave product to the DMX output of the Master product.
5. Connect the DMX input of the subsequent Slave products to the DMX output of the previous Slave product.
6. Finish setting and connecting all the Slave products.

Master product:

1. Set the Master product to operate in Stand-Alone mode.
2. Make the Master product the first product in the DMX daisy chain.



Configure all the Slave products before connecting the Master to the daisy chain.

Never connect a DMX controller to a DMX string configured for Master/Slave operation because the controller may interfere with the signals from the master.

MAINTENANCE

PRODUCT MAINTENANCE

Dust build-up reduces light output performance and can cause overheating. This can lead to reduction of the light source's life and/or mechanical wear. To maintain optimum performance and minimize wear, clean your lighting products at least twice a month. However, be aware that usage and environmental conditions could be contributing factors to increase the cleaning frequency. To clean the product, follow the instructions below:

1. Unplug the product from power.
2. Wait until the product is at room temperature.
3. Use a vacuum (or dry compressed air) and a soft brush to remove dust collected on the external surface/vents.
4. Clean all transparent surfaces with a mild soap solution, ammonia-free glass cleaner, or isopropyl alcohol.
5. Apply the solution directly to a soft, lint free cotton cloth or a lens cleaning tissue.
6. Softly drag any dirt or grime to the outside of the transparent surface.
7. Gently polish the transparent surfaces until they are free of haze and lint.



Always dry the transparent surfaces carefully after cleaning them.

TECHNICAL SPECIFICATIONS

	THINTRI 38	THINTRI 64
DMX Channels	3/8	3/8
DMX Connectors	3 pin XLR	3 pin XLR
Light Source: (Tri-Color RGB Led) 3 W (1A), 50,000 Hours Life Expectancy)	6	12
Strobe Rate	0-20 Hz	0-20 Hz
PWM Frequency	1,200 Hz	1,200 Hz
Beam Angle	15°	15°
Field Angle	29°	29°
Illuminance	1,621 lux @ 2m	3,801 lux @ 2m
Power Linking	31 units@120V; 52 units @ 230V	14 units@120V; 52 units @ 230V
Input Voltage	100-240 VAC, 50/60 Hz (auto-ranging)	100-240 VAC, 50/60 Hz (auto-ranging)
Power and Current	18 W, 0.2 A @ 230 V, 50 Hz	39 W, 0.3 A @ 230 V, 50 Hz
Cooling	Convection	Convection
Dimensions and Weight	2.4 lb (1.1 kg)	4 lb (1.8 kg)
Size	7.1 x 3.3 x 9" (181 x 84 x 226 mm)	8.9 x 3.3 x 9.9" (227 x 84 x 252 mm)

CUSTOMER SUPPORT



**MISSING
— OR —
DAMAGED
PARTS?**



**— HAVE —
ASSEMBLY
QUESTIONS?**

WARRANTY

One (1) Year Limited Warranty

Subject to the limitations set forth below, Venue by Proline™ hereby represents and warrants that the components of this product shall be free from defects in workmanship and materials, including implied warranties of merchantability or fitness for a particular purpose, subject to normal use and service, for one (1) year [ninety (90) days on lamps] to the original owner from the date of purchase.

Retailer and manufacturer shall not be liable for damages based upon inconvenience, loss of use of product, loss of time, interrupted operation or commercial loss or any other incidental or consequential damages including but not limited to lost profits, downtime, goodwill, damage to or replacement of equipment and property, and any costs of recovering, re-programming, or reproducing any program or data stored in equipment that is used with Venue by Proline™ products. This guarantee gives you specific legal rights. You may have other legal rights which vary from state to state. Some states do not allow limitations on how long an implied warranty lasts, so the above limitation may not apply to you.

Venue by Proline™

P.O. Box 5111, Thousand Oaks, CA 91359-5111

www.venuelightingeffects.com

All trademarks and registered trademarks mentioned herein are recognized as the property of their respective holders.

Made in China. 1511- 1595790

