

# SIMMONS<sup>®</sup>

## DA350

Electronic Drum Monitor System



**OWNER'S MANUAL**

[www.SimmonsDrums.net](http://www.SimmonsDrums.net)

# SAFETY INSTRUCTIONS

Please keep this instruction manual for future reference and for the duration of owning the DA350 Electronic Drum Monitor System. Please carefully read and understand the instructions inside this owner's manual before attempting to operate your new electronic drum monitor system.

This instruction manual includes essential safety information regarding the use and maintenance of the amplifier. Take special care to heed all warning symbols and signs inside this manual and those printed on the amplifier on the back of the loudspeaker.

## WARNING

TO PREVENT FIRE OR SHOCK HAZARD, DO NOT EXPOSE THE AMPLIFIER TO WATER/MOISTURE, NOR SHOULD YOU OPERATE THE AMPLIFIER NEAR ANY WATER SOURCE.

The exclamation point triangular symbol is intended to alert the user to the presence of important operating and maintenance(servicing) instructions in the user manual accompanying the Amplifier.


The lightning flash with an arrow triangular symbol is intended to alert the user to the presence of non-insulated "dangerous voltage" within the product's enclosure, and may be of sufficient magnitude to constitute a risk of electric shock.


## WARNING

Handle the power supply cord with care.

Do not damage or deform it as it may cause electric shock or malfunction when used. Hold the plug attachment when removing from wall outlet. Do not pull on the power cord.



## IMPORTANT SAFETY PRECAUTIONS

1. Read these instructions.
2. Keep these instructions.
3. Heed all warnings.
4. Follow all Instructions.
5. Do not use this apparatus near water.
6. Clean only with dry cloth.
7. Do not block any ventilation openings. Install in accordance with the manufacturer's instructions. DO NOT turn on the amplifier module before connecting all other external devices.
8. Do not install near any heat sources such as radiators, heat registers, stoves, or other apparatus (including amplifiers) that produce heat.
9. Do not defeat the safety purpose of the polarized or grounding-type plug. A polarized plug has two blades with one wider than the other. A grounding type plug has two blades and a third grounding prong. The wide blade or the third prong is provided for your safety. If the provided plug does not fit into your outlet, consult an electrician for replacement of the obsolete outlet.
10. Protect the power cord from being walked on or pinched particularly at plugs, convenience receptacles, and the point where they exit from the apparatus.
11. Only use attachment/accessories specified by the manufacturer.
12. Use only the cart, stand, tripod, bracket or table specified by the manufacturer, or sold with the apparatus. When a cart is used, use caution when moving the cart/apparatus combination to avoid injury from tip-over. 
13. Unplug this apparatus during lightning storms or when unused for long periods of time.

14. Refer all servicing to qualified service personnel. Servicing is required when the apparatus has been damaged in any way, such as power-supply cord or plug is damaged, liquid has been spilled or objects have fallen into the apparatus, the apparatus has been exposed to rain or moisture, does not operate normally, or has been dropped.
15. POWER SOURCES - This product should be operated only from the type of power source indicated on the rating label. If you are not sure of the type of power supply to your home, consult your product dealer or local power company.
16. Where the mains plug or an appliance coupler is used as the disconnect device, the disconnect device shall remain readily operable.
17. OBJECT AND LIQUID ENTRY - Care should be taken so that objects do not fall and liquids are not spilled into the enclosure through openings.
18. Water and Moisture: This product should be kept away from direct contact with liquids. The apparatus shall not be exposed to dripping or splashing and that no objects filled with liquids, such as vases, shall be placed on the apparatus.
19. Keep the speaker system out of extended or intense direct sun light.
20. No containers filled with any type of liquid should be placed on or near the speaker system.
21. SERVICING - The user should not attempt any service to the speaker and/or amplifier beyond that described in the operating instructions. All other servicing should be referred to qualified service personnel.
22. VENTILATION - Slots and openings in the amplifier are provided for ventilation and to ensure reliable operation of the product and to protect it from overheating. These openings must not be blocked or covered. The openings should never be blocked by placing the product on a bed, sofa, rug, or other similar surface. This product should not be placed in a built-in installation such as a bookcase or rack.
23. Protective earthing terminal: The apparatus should be connected to a main socket outlet with a protective earthing connection. 
24. ACCESSORIES - Do not place this product on an unstable cart, stand, tripod, bracket, or table. The product may fall, causing serious injury to a child or adult, and serious damage to the product. Use only with a cart, stand, tripod, bracket, or table recommended by the manufacturer, or sold with the product.
25. When moving or not using the appliance, secure the power cord (e.g., wrap it with a cable tie). Be careful not to damage the power cord. Before using it again, make sure the power cord has not been damaged. If the power cord has been damaged at all, bring the unit and cord to a qualified service technician for repair or replacement as specified by the manufacturer.
26. LIGHTNING - For added protection during a lightning storm, or when it is left unattended and unused for long periods of time, unplug it from the wall outlet. This will prevent damage to the product due to lightning and power-line surges.
27. REPLACEMENT PARTS - When replacement parts are required, be sure the service technician has used replacement parts specified by the manufacturer or have the same characteristics as the original part. Unauthorized substitutions may result in fire, electric shock, or other hazards.

# SAFETY INSTRUCTIONS

To prevent electric shock, do not use a polarized plug with an extension cord, receptacle or other outlet unless the blades can be fully inserted to prevent blade exposure.

	<b>CAUTION</b> RISK OF ELECTRIC SHOCK DO NOT OPEN	<b>AVIS</b> RISQUE DE CHOC ELECTRIQUE NE PAS OUVRIR	
<p><b>CAUTION:</b> To reduce the risk of electric shock, do not remove chassis. No user-serviceable parts inside. Refer servicing to qualified service personnel.</p> <p><b>AVERTISSEMENT:</b> Pour réduire les risques d'incendie et d'électrocution, ne pas exposer ce matériel à la pluie ou à l'humidité.</p>			



THIS SYMBOL IS INTENDED TO ALERT THE USER TO THE PRESENCE OF IMPORTANT OPERATING AND MAINTENANCE (SERVICING) INSTRUCTIONS IN THE LITERATURE ACCOMPANYING THE UNIT.



APPARATUS SHALL NOT BE EXPOSED TO DRIPPING OR SPLASHING AND THAT NO OBJECTS FILLED WITH LIQUIDS, SUCH AS VASES, SHALL BE PLACED ON THE APPARATUS.

Caution - To prevent electric shock hazard, do not connect to mains power supply while grille is removed.

Caution - To prevent electric shock hazard, replace grille.

## TABLE OF CONTENTS

SAFETY INSTRUCTIONS .....	2
FEATURES .....	4
DRUM MONITOR SYSTEM MAINTENANCE .....	5
SYSTEM CONFIGURATIONS .....	6
WHAT'S IN THE BOXES .....	7
SETTING UP THE SYSTEM .....	8
PANEL CONTROLS .....	9
TROUBLESHOOTING .....	12
BLOCK DIAGRAM .....	13
SPECIFICATIONS .....	14
WARRANTY .....	15

# CONGRATULATIONS!

---

...on your purchase of a Simmons DA350 Electronic Drum Monitor System. By following these guidelines and suggestions, your new Simmons amplifier will provide you with many years of great sound and reliable service.

## FEATURES

---

- 350 Watts RMS (1100 watts peak); Class-D power
- 10" Subwoofer and two 4" satellite speakers
- 3-channel mixer with 1/4" stereo inputs for multiple sound sources
- 2-band shelving EQ provides complete tone control
- Subwoofer level knob dials in the perfect amount of low-end boom
- Aux inputs and Bluetooth® audio
- Weighs only 51 pounds for easy transport
- Includes stands and stand-transport bags

# DRUM MONITOR SYSTEM MAINTENANCE

---

## Location

- To avoid deformation, discoloration, or more serious damage, do not expose the unit to direct sunlight, high temperature sources, or excessive humidity.

## Power supply

- Turn the power switch off when the DA350 is not in use.
- The AC cable should be unplugged from the AC outlet if the DA350 will not be used for an extended period.
- Avoid plugging the AC adapter into an AC outlet that is also powering high-consumption appliances such as electric heaters or televisions.
- To avoid damage, turn off the DA350 power switch and all related devices prior to connecting or disconnecting cables.

## Handling and transport

- Never apply excessive force to any parts.
- Unplug cables by gripping the plugs firmly. Do not pull on cables.
- Physical shocks caused by dropping or bumping can result in serious damage to the unit.

## Cleaning

- Clean with a dry, soft cloth.
- A slightly damp cloth may be used to remove stubborn grime and dirt. Never use cleaners such as alcohol or thinner.
- The DA350 contains electronic circuitry that may cause interference if placed too close to radio or television receivers. If this occurs, move the DA350 further away from the affected equipment.

## Service and modification

- There are no user serviceable parts in the DA350.
- Do not attempt to open the DA350 or make any change to circuits or parts. This will void the warranty.

## Protective circuit (poly switch)

The DA350 is fitted with a self-resetting poly switch that protects the high-frequency driver from damage caused by excessive power. If a loudspeaker cabinet loses high-frequency output, immediately remove power from the unit and wait for two to three minutes. This should be long enough to allow the poly switch to reset. Reapply power and check the performance of the high frequency driver before continuing, with the power reduced to a level that does not cause the poly switch to interrupt the signal.

## Interference from cell phone

Using a cell phone near the speaker system can induce noise. If this occurs, move the cell phone further away from the speaker system.

# SYSTEM CONFIGURATIONS

The DA350 Electronic Drum Monitor System can be set up for optimal sound in any studio, stage or practice room.

## 2.1 STEREO SETUP

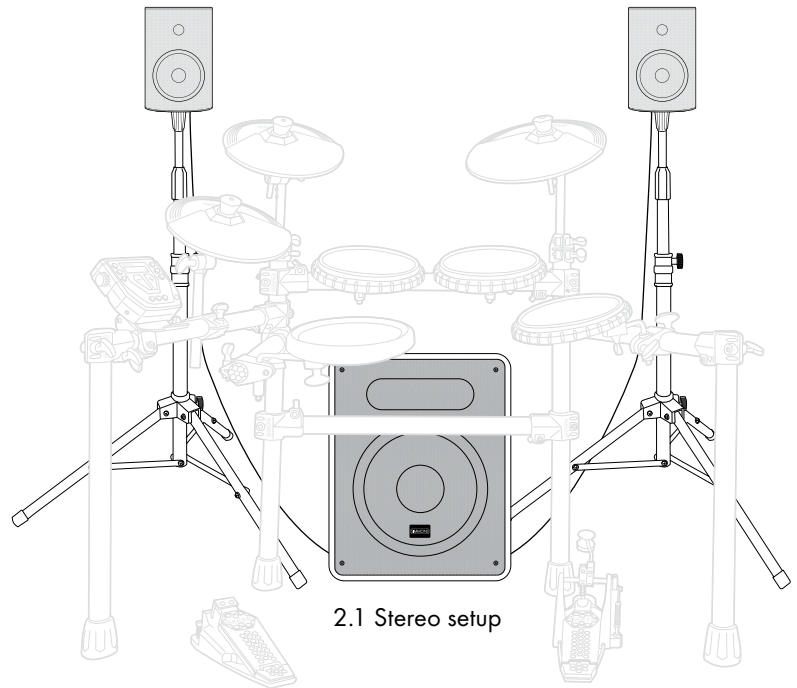
Place the subwoofer/amp module in the center of your setup, just in front of your kick drum. Place the two satellite speakers on their respective tripods and position them equidistant from the subwoofer for realistic spatial realism. Attach the speaker cables.

## COMPACT MONO SETUP

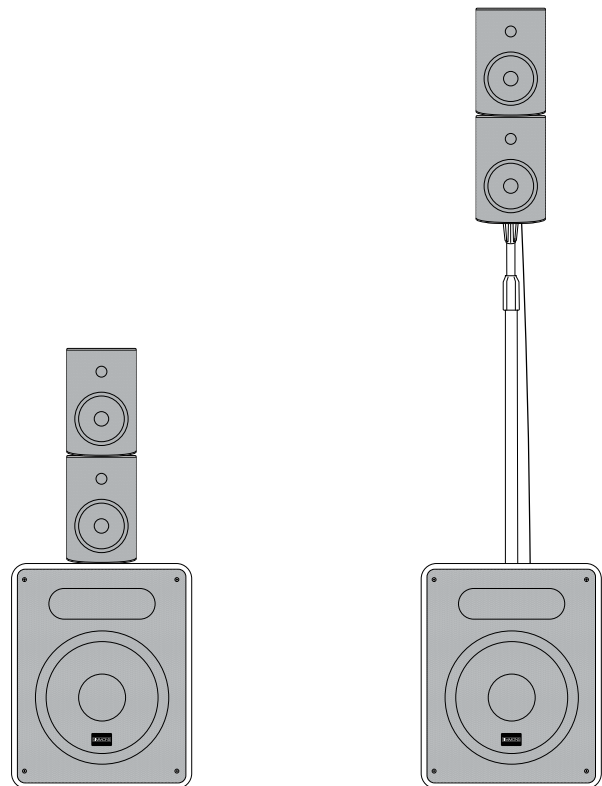
When space is at a premium, use this compact, cable-less method. Place the subwoofer/amp module on a table or the floor. Place the satellite speakers directly on top, making sure to slide the speakers into their power/audio contacts.

## STANDARD MONO SETUP

This method is similar to the compact method, but allows the speakers to sit above the audience, dance floor or other speakers. Place the subwoofer/module on the floor, then insert one of the speaker poles (taken from one of the speaker tripods) and insert it into the mounting hole. Place one satellite speaker onto the pole, and slide the other satellite speaker on top. This method only uses a single cable.



2.1 Stereo setup



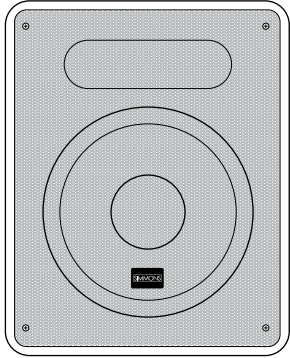
Compact mono setup

Standard mono setup

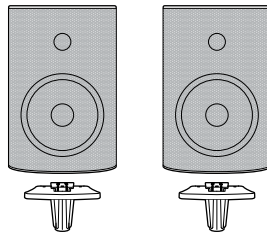
# WHAT'S IN THE BOXES

---

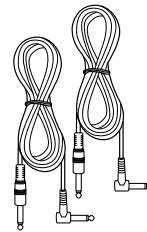
## Box #1



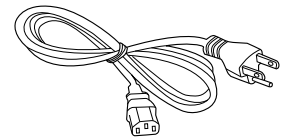
The main sub speaker/amp/mixer



Speaker mounts and satellite speakers



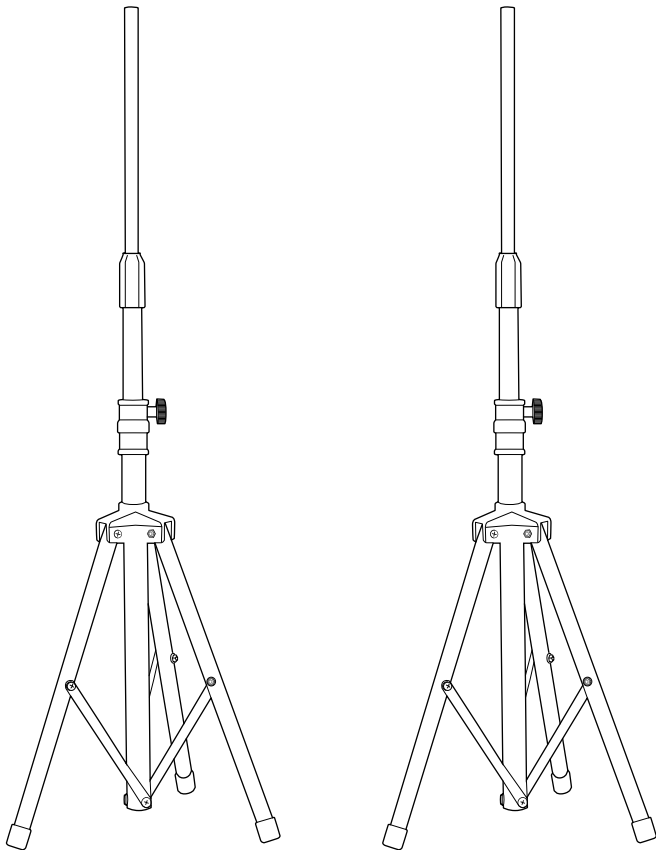
Speaker cables



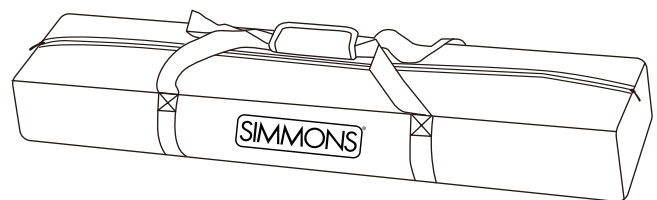
AC cable

---

## Box #2



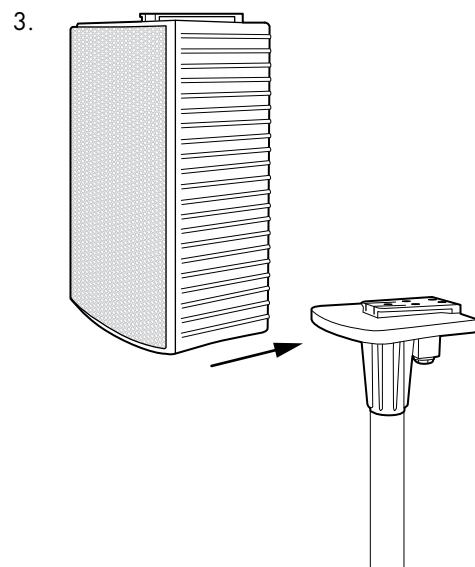
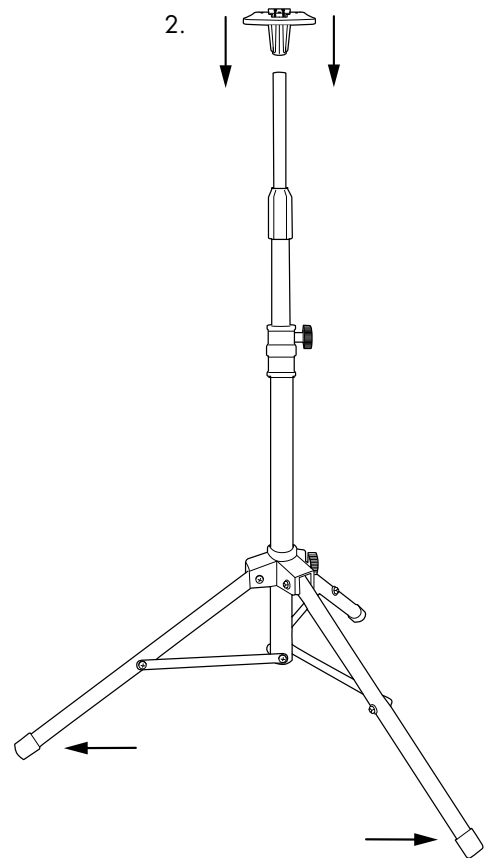
Speaker stands



Carrying case  
(for the stands and mounts)

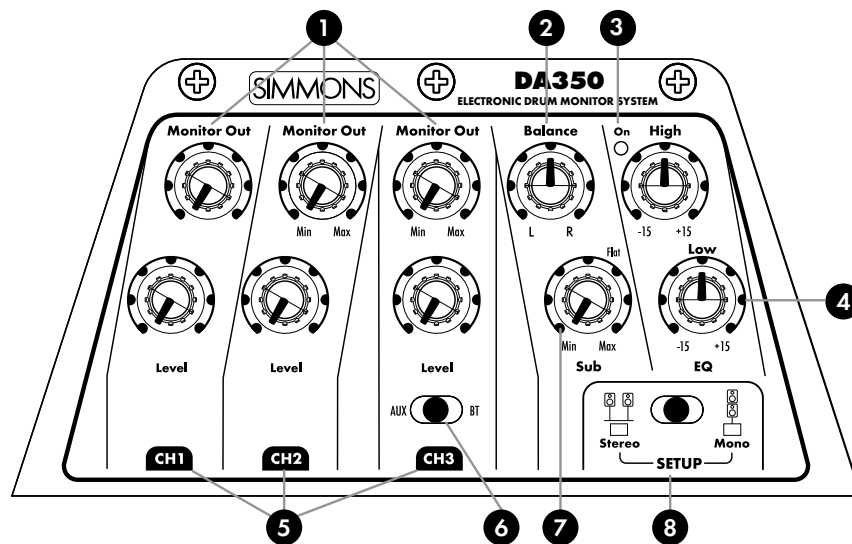
## SETTING UP THE SYSTEM

1. You will need to place the flat sections with the pole receptacle onto the top of the speaker pole.
2. Extend the speaker stand legs and place each stand on either side of your electronic drum set.
3. Once the stands are set up slide the small speakers onto the speaker stands.
4. Connect the included 1/4" to 1/4" speaker cables to the speaker outputs on the bottom section of the sub speaker/mixer cabinet.
5. Plug the audio outputs of your drum module into the two 1/4" input channels on the mixer.
6. Plug the power cable into the AC jack on your sub speaker/mixer cabinet and plug the other end of the cable into your power mains.
7. Turn on the power of the sub speaker/mixer. Slowly increase the level on the channel you've connected.
8. Turn the sub knob up to the desired level to set the low frequency response for the entire system.



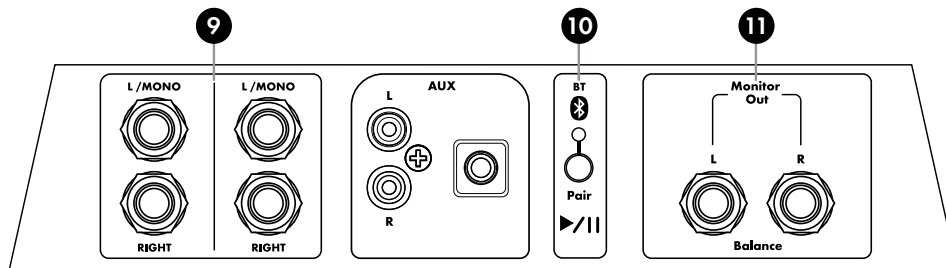


# PANEL CONTROLS



- 1 Monitor Out Level**  
Each channel has separate monitor output level controls to manage monitor signals to each out.
- 2 Balance**  
This allows you to adjust the stereo balance of the speaker system.
- 3 Power LED**  
The Power LED is green to indicate that the DA350's power cable is connected to an electrical outlet, and the Power Switch is turned on.
- 4 EQ Controls**  
The LOW EQ will provide +/- 15dB of boost or cut below 100Hz. Turn the LOW EQ up to add bass or warmth to the speaker. The HIGH EQ will provide +/- 15dB of boost or cut above 10kHz. Turn the HIGH EQ up to increase the volume of cymbals or other high frequency sounds.
- 5 Channel Volume Controls**  
Each channel has separate volume controls to allow discrete mixing of each audio source.
- 6 Aux/Bluetooth Selector Switch and Pair button**  
This changes the Channel 3 input to Bluetooth from the physical inputs.  
  
See **10 Bluetooth Controls** for details
- 7 Subwoofer Volume**  
This controls the Subwoofer volume. The "Flat" indication on the markings around the knob indicates that the system-wide balance between the high and low frequencies are equal. If you want more low frequencies turn the knob towards the Max indicator.
- 8 Setup Switch**  
Sets the system into either a mono or stereo speaker configuration.

# PANEL CONTROLS



## 9 Channel Inputs

Channels 1 and 2 are intended for line level inputs from products such as drum modules.

Channel 3 can either be a physical input source that comes into the RCA inputs or the 1/8" TRS input or you can switch it to Bluetooth® for wireless connectivity.

## 10 Bluetooth Controls

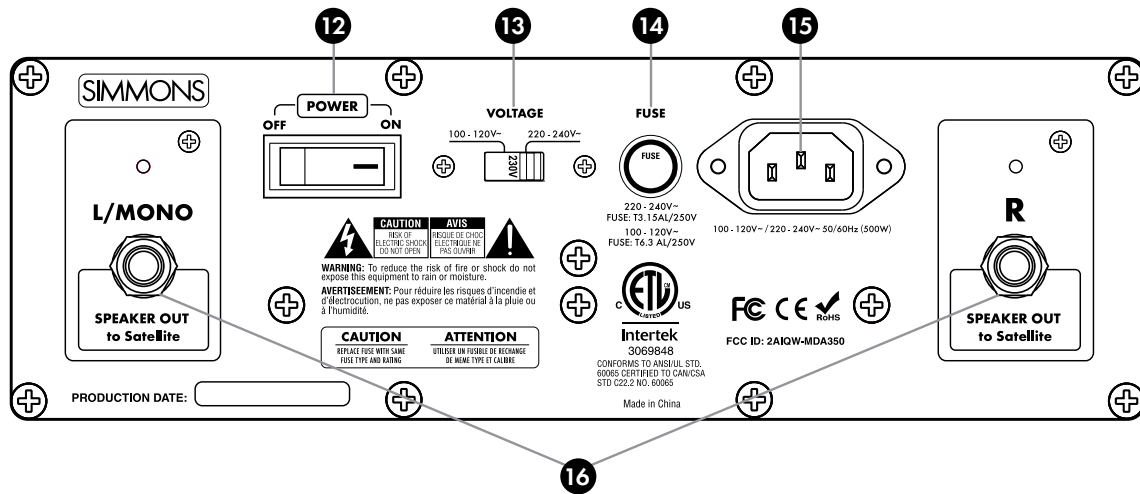
To use a Bluetooth-enabled device like your phone or computer as the source for Input 3, you must first "pair" it with your DA350.

- Power on your DA350, and enable Bluetooth on your source device (phone, computer or other mobile device).
- From your source device, display its list of discovered Bluetooth devices, and look for "Simmons DA350" there. If you don't see it, try scrolling the list to make sure it's not hidden off-screen. If it's not listed, push and release the PAIR/play/pause button on your DA350.
- Once you do see "Simmons DA350" on the list, select it, and your source device and your DA350 will pair, while the DA350 plays a chime and lights the Bluetooth LED blue.
- Play audio from your Bluetooth source device, and you'll now hear it via INPUT 3 of your DA350, as the Bluetooth LED slowly flashes.
- Pressing the PAIR/play/pause button will now remotely control the play/pause action of your device, with the Bluetooth LED flashing during play, and solid while paused.
- To "disconnect" your Bluetooth device from Input 3, press and hold the PAIR/play/pause button. The LED will turn off and you will hear a chime.
- When you power on your DA350, it will look for any previously paired device, and pair with it automatically if available.

## 11 Monitor Outputs

Use to connect the DA350 to a Mixer or PA system.

# PANEL CONTROLS



- 12 Power Switch**  
Turns the DA350 ON or OFF
- 13 Voltage Selector**  
Use to switch to different voltages. Normally set at the factory at 100-120 voltage.
- 14 Fuse Holder**  
Disconnect the DA350 from mains before replacing fuse. Only use fuse of the same rating and power. The correct fuse is specified on the rear panel.
- 15 Power Cable Input**  
Plug in the supplied power cable here.
- 16 Speaker Outputs**  
Powered speaker outputs. This is where you connect your satellite speakers.

# TROUBLESHOOTING

---

**1. Mixer and Amplifier Will Not Turn On.**

Is the included power cord correctly connected to a power outlet?

**2. Amplifier Turns Off Suddenly.**

Is the vent on the top panel of the mixer blocked? Since inadequate venting will cause the mixer to overheat, turn off the mixer and uncover the vents to allow the mixer & amplifier to cool. After a few minutes, the mixer should reset itself and can return to normal playback.

**3. No Sound From the Speaker(s).**

Are external instruments or speakers correctly connected to the mixer?  
Are the LEVEL controls of all relevant channels set to appropriate levels?

**4. Distortion or Noise in the Audio Signal.**

Are the LEVEL controls of all relevant channels set to appropriate levels?

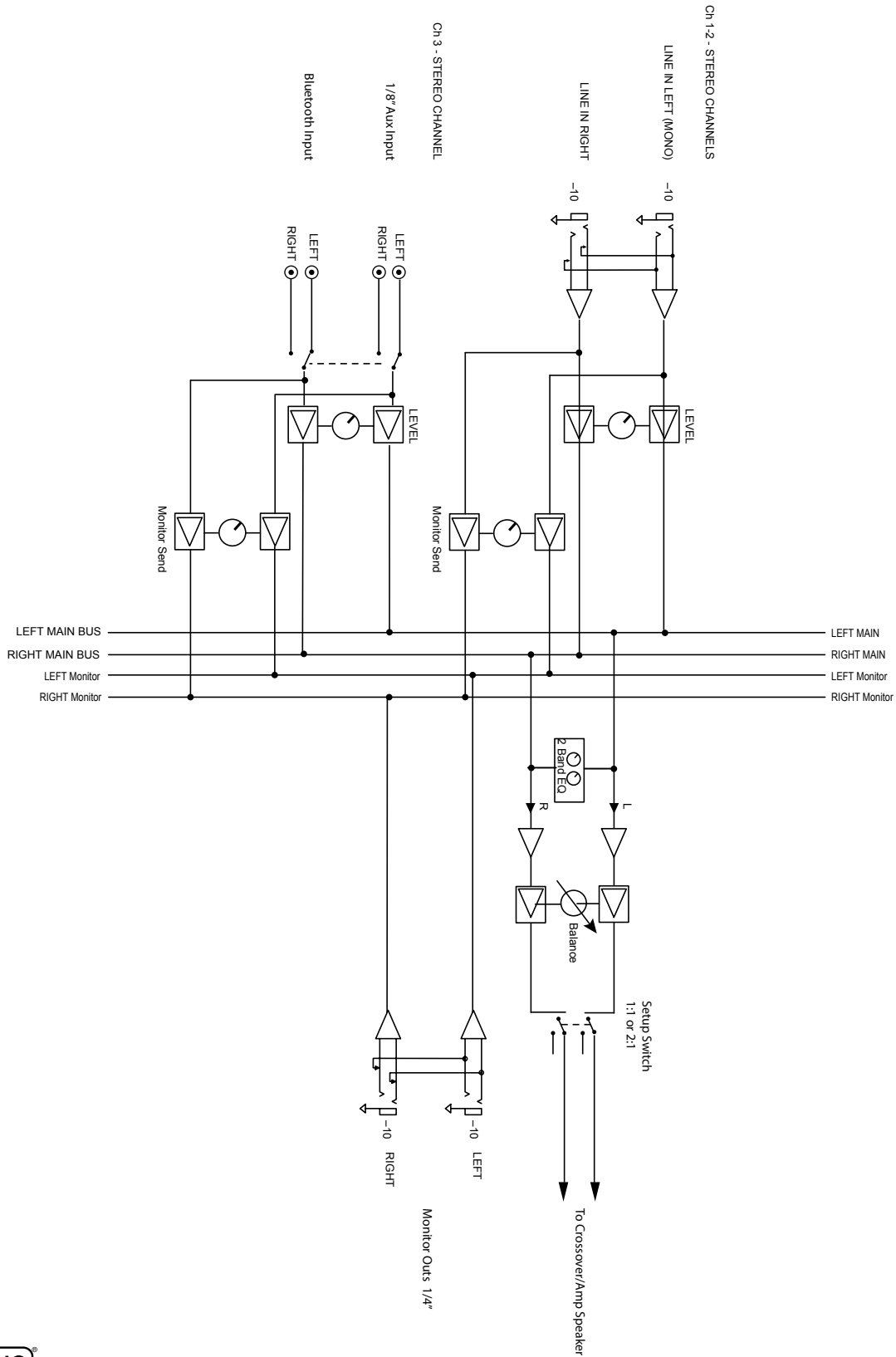
**5. Output Level is Low.**

Are the LEVEL controls of all relevant channels set to appropriate levels?  
Is the input signal from the connected device set to an appropriate level?

**6. Bluetooth not working.**

Be sure your device is paired. See page 10.

# BLOCK DIAGRAM



# SPECIFICATIONS

Inputs	2 stereo pairs - 1/4" TRS (ch 1 & 2), 1/8" TRS, 2-RCA inputs (ch 3), Bluetooth	
Outputs	Monitor - Out 2 1/4" TRS line outputs - external no power	2 1/4" speaker outputs (powered)
Drivers	Sub - 10"	Hi Frequency - 2 x 4.75" and 2 x 1" tweeter
Output Wattage Total peak power 1100 Watts	Subwoofer - 250 Watts into 4 ohms	High Frequency Drivers Single Mode: 60 Watt at 8 Ohm Twin mode: 120 Watt at 4 Ohm
Amplifier	Class-D amplifier and switching power design	
Frequency Response	Sub - 50Hz - 160Hz	Satellites - Single mode: 155Hz - 20kHz
Max output SPL	116dB	
Power	100-240V ~ 50/60Hz switchable	
Dimensions and Weight	18" x 13" x 16"	51 lbs.

# WARRANTY

---

## 3 Year Limited Warranty

Subject to the limitations set forth below, Simmons hereby represents and warrants that the components of this product shall be free from defects in workmanship and materials, including implied warranties of merchantability or fitness for a particular purpose, subject to normal use and service, for three (3) years to the original owner from the date of purchase.

Retailer and manufacturer shall not be liable for damages based upon inconvenience, loss of use of product, loss of time, interrupted operation or commercial loss or any other incidental or consequential damages including but not limited to lost profits, downtime, goodwill, damage to or replacement of equipment and property, and any costs of recovering, reprogramming, or reproducing any program or data stored in equipment that is used with Simmons products. This guarantee gives you specific legal rights. You may have other legal rights which vary from state to state. Some states do not allow limitations on how long an implied warranty lasts, so the above limitation may not apply to you.



The first name in electronic drums.

CUSTOMER & WARRANTY SUPPORT



HAVE QUESTIONS?

MISSING  
—OR—  
DAMAGED  
PARTS?



—HAVE—  
ASSEMBLY  
QUESTIONS?

OR VISIT OUR WEBSITE AT: [SIMMONSDRUMS.NET](http://SIMMONSDRUMS.NET)

PLEASE DO NOT CALL THE RETAILER WHERE YOU  
PURCHASED THIS PRODUCT FOR SUPPORT OR PARTS!



Simmons  
P.O. Box 5111  
Thousand Oaks, CA 91359-5111

All trademarks and registered trademarks mentioned herein are recognized as the property of their respective holders.

1610-16117902

