



HARBINGER®

MüV
SERIES™

MLS800
LINE ARRAY PA SYSTEM

OWNER'S MANUAL

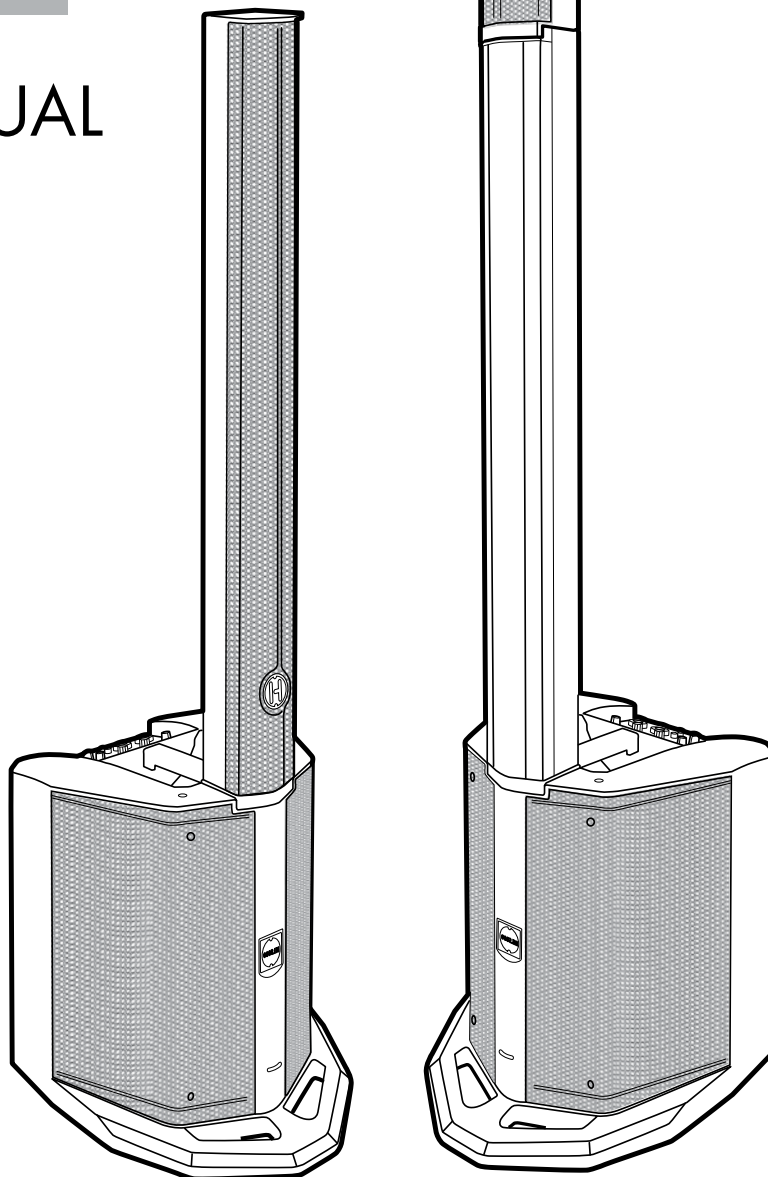


TABLE OF CONTENTS

Important Safety information.....	3
Parts	5
Collapsed vs. Extended	6
MLS800 Mixer Panel.....	7
Specifications	10
Troubleshooting	11
Warranty/FCC statements.....	12

WELCOME

CONGRATULATIONS on your purchase of a Harbinger MüV MLS 800 Watt Line Array PA System. By following these guidelines and suggestions, you'll enjoy many years of great sound and reliable service.

MüV Series Line Array PA Systems are perfect for musicians, DJs, and presenters needing flexible and portable solutions for both audience-pleasing amplification, and performer-friendly on-stage monitoring. Your MLS800 can be setup on a stand, or placed on a table. You can also link multiple MüV MLS Series Line Array PA Systems to form a larger system.

YOUR NEW MüV SERIES POWERED LOUDSPEAKER INCLUDES:

- Full-range powered Line Array PA System
 - 800 Watt Class-D Amplifier with built-in Limiter
 - 6 matched 2.75-inch full-range speakers in precision line array
- 3 Channel Mixer with Line Out
 - Mic/line input
 - Guitar/line input
 - Aux input
 - Line output
- Dual band EQ
- Tower stand mount for instant audio connections
- LED indicators for power and limiter
- Built-in Bluetooth audio functionality to wirelessly connect your portable audio device or computer



**MISSING
OR
DAMAGED
PARTS?**

HAVE QUESTIONS?

**HAVE
ASSEMBLY
QUESTIONS?**

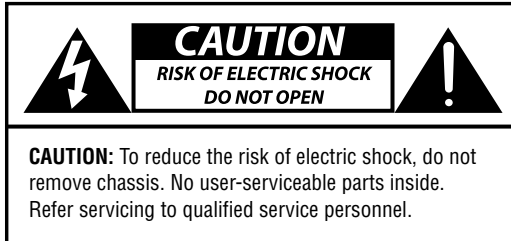
OR VISIT OUR WEBSITE AT: HARBINGERPROAUDIO.COM

IMPORTANT SAFETY PRECAUTIONS

1. Read these instructions.
2. Keep these instructions.
3. Heed all warnings.
4. Follow all Instructions.
5. Do not use this apparatus near water.
6. Clean only with dry cloth.
7. Do not block any ventilation openings. Install in accordance with the manufacturer's instructions. DO NOT turn on the amplifier module before connecting all other external devices.
8. Do not install near any heat sources such as radiators, heat registers, stoves, or other apparatus (including amplifiers) that produce heat.
9. Do not defeat the safety purpose of the polarized or grounding-type plug. A polarized plug has two blades with one wider than the other. A grounding type plug has two blades and a third grounding prong. The wide blade or the third prong is provided for your safety. If the provided plug does not fit into your outlet, consult an electrician for replacement of the obsolete outlet.
10. Protect the power cord from being walked on or pinched particularly at plugs, convenience receptacles, and the point where they exit from the apparatus.
11. Only use attachment/accessories specified by the manufacturer.
12. Use only the cart, stand, tripod, bracket or table specified by the manufacturer, or sold with the apparatus. When a cart is used, use caution when moving the cart/apparatus combination to avoid injury from tip-over. 
13. Unplug this apparatus during lightning storms or when unused for long periods of time.
14. Refer all servicing to qualified service personnel. Servicing is required when the apparatus has been damaged in any way, such as power supply cord or plug is damaged, liquid has been spilled or objects have fallen into the apparatus, the apparatus has been exposed to rain or moisture, does not operate normally, or has been dropped.
15. **POWER SOURCES** - This product should be operated only from the type of power source indicated on the rating label. If you are not sure of the type of power supply to your home, consult your product dealer or local power company.
16. Where the mains plug or an appliance coupler is used as the disconnect device, the disconnect device shall remain readily operable.
17. **OBJECT AND LIQUID ENTRY** - Care should be taken so that objects do not fall and liquids are not spilled into the enclosure through openings.
18. **Water and Moisture:** This product should be kept away from direct contact with liquids. The apparatus shall not be exposed to dripping or splashing and that no objects filled with liquids, such as vases, shall be placed on the apparatus.
19. Keep the speaker system out of extended or intense direct sun light.
20. No containers filled with any type of liquid should be placed on or near the speaker system.
21. **SERVICING** - The user should not attempt any service to the speaker and/or amplifier beyond that described in the operating instructions. All other servicing should be referred to qualified service personnel.
22. **VENTILATION** - Slots and openings in the amplifier are provided for ventilation and to ensure reliable operation of the product and to protect it from overheating. These openings must not be blocked or covered. The openings should never be blocked by placing the product on a bed, sofa, rug or other similar surface. This product should not be placed in a built-in installation such as a bookcase or rack.
23. **Protective earthing terminal:** The apparatus should be connected to a main socket outlet with a protective earthing connection.
24. **ACCESSORIES** - Do not place this product on an unstable cart, stand, tripod, bracket, or table. The product may fall, causing serious injury to a child or adult, and serious damage to the product. Use only with a cart, stand, tripod, bracket, or table recommended by the manufacturer, or sold with the product. 
25. When moving or not using the appliance, secure the power cord (e.g., wrap it with a cable tie). Be careful not to damage the power cord. Before using it again, make sure the power cord has not been damaged. If the power cord has been damaged at all, bring the unit and cord to a qualified service technician for repair or replacement as specified by the manufacturer.
26. **LIGHTNING** - For added protection during a lightning storm, or when it is left unattended and unused for long periods of time, unplug it from the wall outlet. This will prevent damage to the product due to lightning and power-line surges.
27. **REPLACEMENT PARTS** - When replacement parts are required, be sure the service technician has used replacement parts specified by the manufacturer or have the same characteristics as the original part. Unauthorized substitutions may result in fire, electric shock, or other hazards.

IMPORTANT SAFETY PRECAUTIONS

To prevent electric shock, do not use a polarized plug with an extension cord, receptacle or other outlet unless the blades can be fully inserted to prevent blade exposure.



THIS SYMBOL IS INTENDED TO ALERT THE USER TO THE PRESENCE OF IMPORTANT OPERATING AND MAINTENANCE (SERVICING) INSTRUCTIONS IN THE LITERATURE ACCOMPANYING THE UNIT.



APPARATUS SHALL NOT BE EXPOSED TO DRIPPING OR SPLASHING AND THAT NO OBJECTS FILLED WITH LIQUIDS, SUCH AS VASES, SHALL BE PLACED ON THE APPARATUS.

Caution - To prevent electric shock hazard, do not connect to mains power supply while grille is removed.

Caution - To prevent electric shock hazard, replace grille.

WARNING

To reduce the risk of fire or electric shock, do not expose this apparatus to rain or moisture.

The exclamation point triangular symbol is intended to alert the user to the presence of important operating and maintenance (servicing) instructions in the user manual accompanying the Amplifier.

The lightning flash with an arrow triangular symbol is intended to alert the user to the presence of non-insulated "dangerous voltage" within the product's enclosure, and may be of sufficient magnitude to constitute a risk of electric shock.

WARNING

Handle the power supply cord with care.

Do not damage or deform it as it may cause electric shock or malfunction when used. Hold the plug attachment when removing from wall outlet. Do not pull on the power cord.

HEARING DAMAGE AND PROLONGED EXPOSURE TO EXCESSIVE SPLS

This product is capable of producing extremely loud volume levels that can cause permanent hearing damage to performers, production crews or the audience. Hearing protection is recommended during long-term exposure to high SPLs (sound pressure levels).

Remember, if it hurts, it is definitely too loud! Long term exposure to high SPLs first causes temporary threshold shifts; limiting your ability to hear the actual loudness and exercise good judgment. Repeated long-term exposure to high SPLs will cause permanent hearing loss.

Please note the recommended exposure limits in the accompanying table. More information about these limits is available on the US government Occupational Safety and Health (OSHA) website at: www.osha.gov.

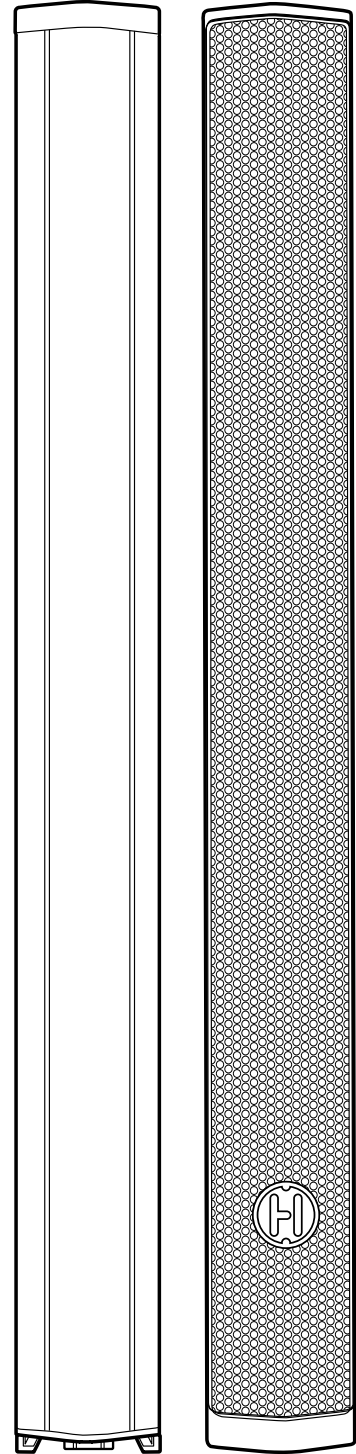
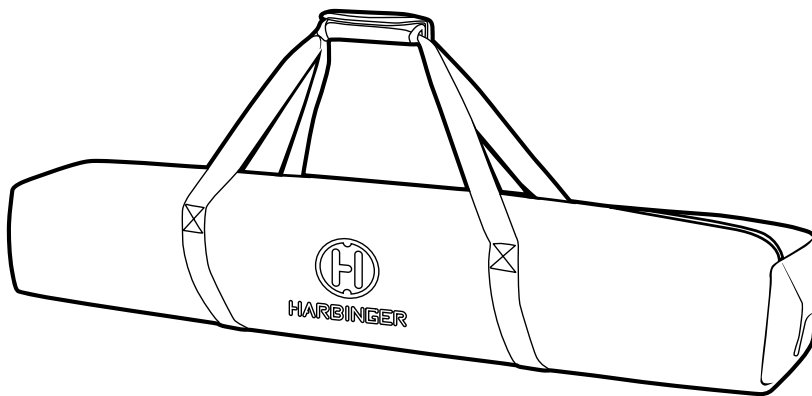
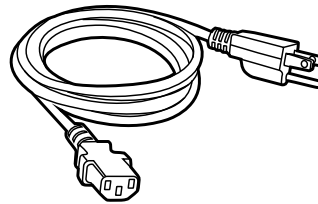
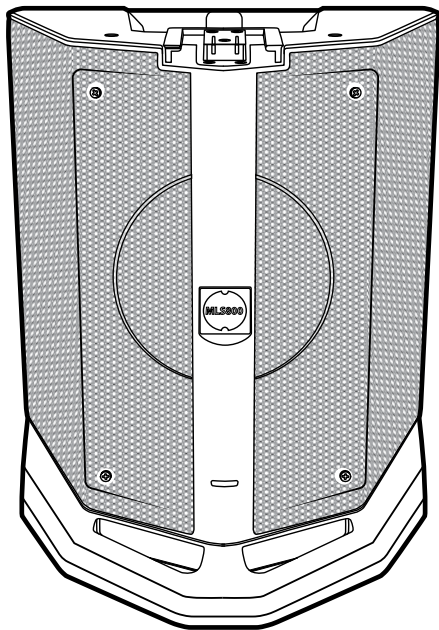
Permissible Noise Exposures (1)

Duration per day, hours	Sound level dBA slow response
8	90
6	92
4	95
3	97
2	100
1.5	102
1	105
0.5	110
0.25 or less	115

PARTS

THE HARBINGER MÜV MLS800 CONSISTS OF SEVERAL PARTS

- The main sub speaker, amplifier and mixer
- Tower sections
- AC cable
- Carrying case



COLLAPSED VS. EXTENDED POSITION

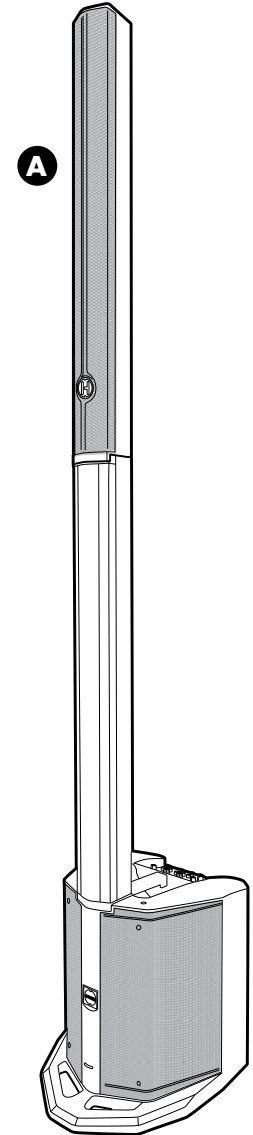
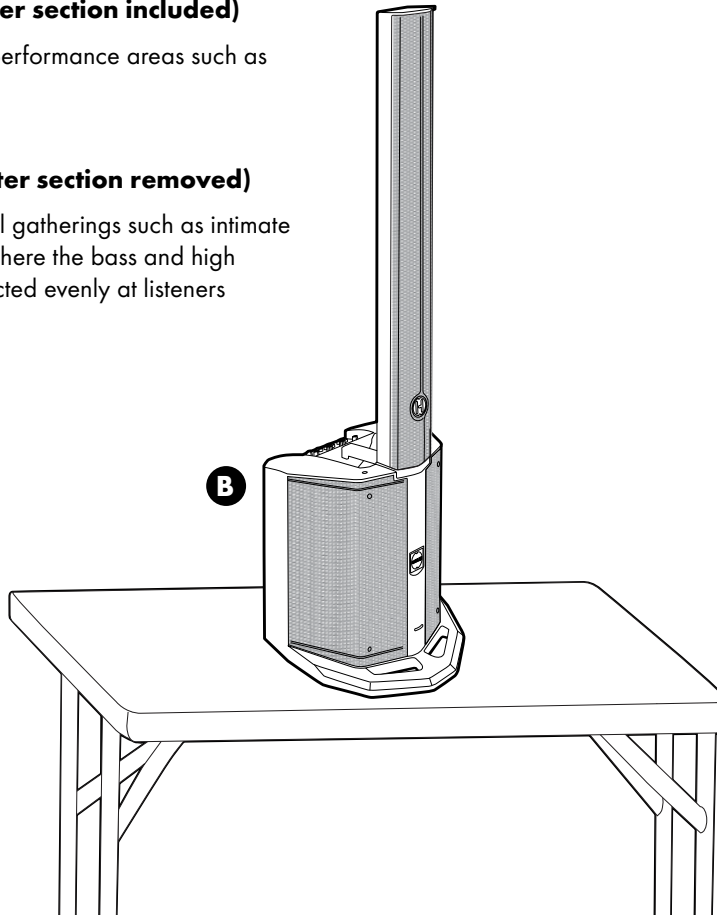
You have a choice of whether to include or remove the center section, to best fit your usage.

A Extended Position (center section included)

This setup is best for larger performance areas such as an auditorium or club.

B Collapsed Position (center section removed)

This is a good setup for small gatherings such as intimate meetings or performances where the bass and high frequencies should be projected evenly at listeners nearby in a sitting position.

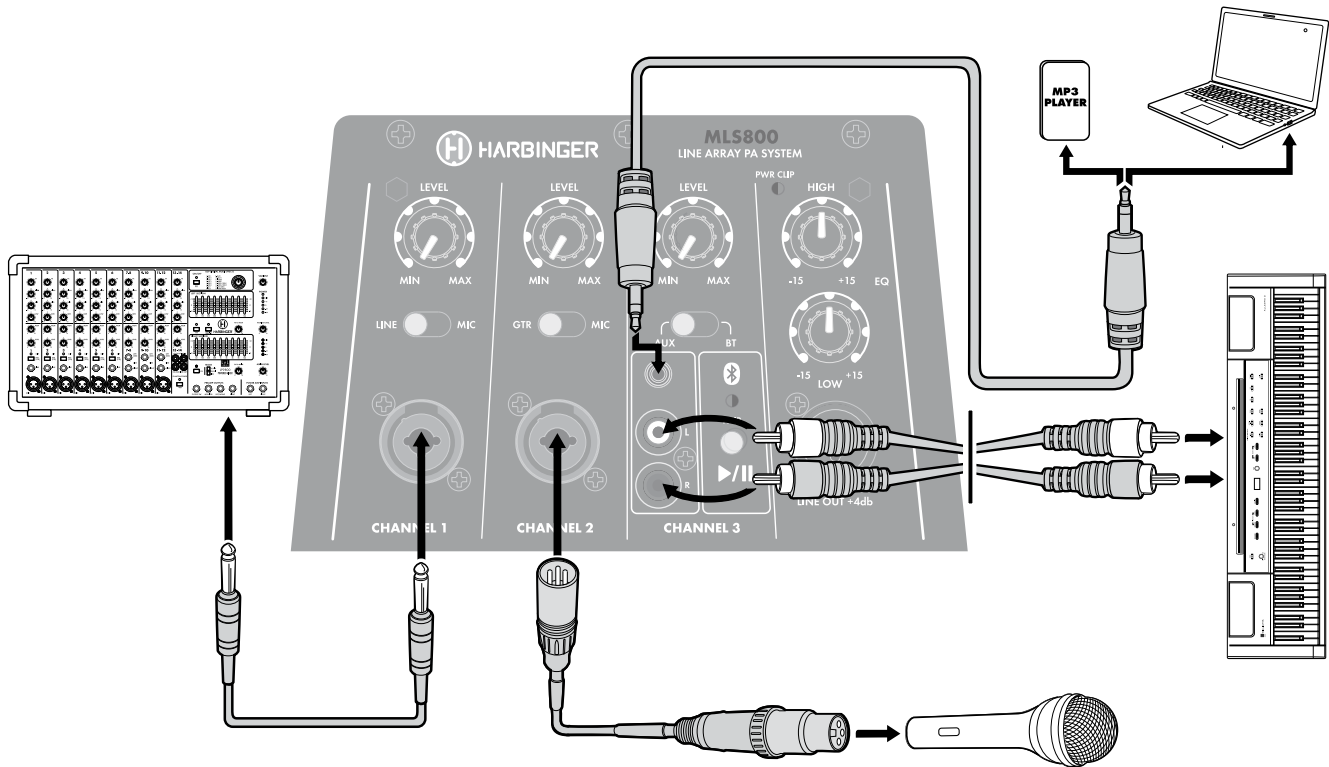


QUICK START GUIDE

SETTING UP / HELPFUL TIPS

- Position the MLS800 in the desired location, and ensure the speaker is stable.
- Make sure the POWER switch is OFF.
- Make certain INPUT GAIN 1, INPUT GAIN 2, and MASTER VOLUME are down.
- Set EQUALIZER knobs to center (12 o'clock).

MLS800 MIXER PANEL



MAKING THE CONNECTIONS

- Plug connection to INPUT 1 – check that the MIC/LINE switch matches the source (Mic for microphones and instruments, Line for mixers, keyboards, or instruments with active pickups).
- Plug connection to INPUT 2 – this works just like INPUT 1.
- Plug connection to INPUT 3 – check that AUX/BLUETOOTH switch is set to AUX if using physical cable connections for INPUT 3. STEREO jack is great for your phone, mobile audio device or computer. -10dB LINE jacks are great for keyboard, drum machine or other line level devices. See BLUETOOTH CONTROLS section to use a Bluetooth-enabled device as the source for INPUT 3. (see page 8).

POWERING UP

- Turn on the power to any devices plugged into Input 1, Input 2, or Aux Input and ensure their output volumes are turned up. (Generally you'll get the best sound by turning their output volume to maximum, then making any volume adjustment via the MLS800's input gain controls).
- Power ON the MLS800.
- Slowly turn INPUT 1 GAIN, INPUT 2 GAIN and INPUT 3 GAIN to the desired levels.

POWER/CLIP LED AND PROPER LEVELS

- This LED should normally be green when MLS800's AC power cord is connected to an electrical outlet, and the Power Switch is turned on.
- If this LED is constantly turning red, one of the input signals is too high.
- Turn down each input gain volume knob in turn to find which is distorting, and set that knob to avoid clipping.

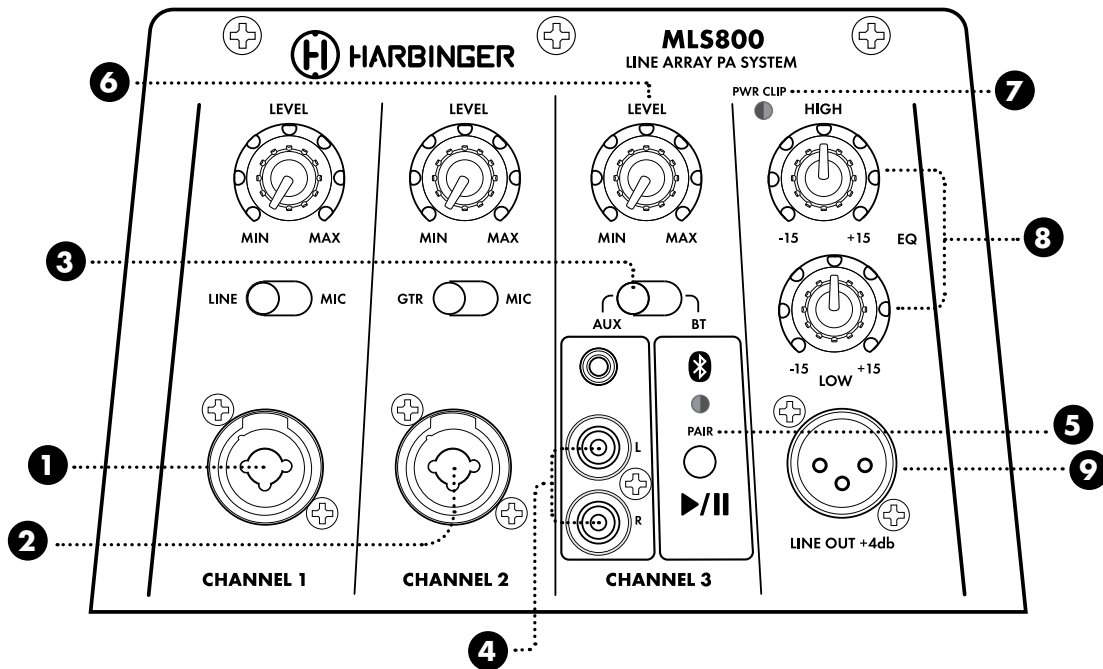
FLOOR MONITOR APPLICATIONS

- Turn the LOW Equalizer knob down slightly to reduce unwanted rumble and low-frequency build-up. This will reduce feedback and make vocals clearer.

LINKING MULTIPLE SPEAKERS

- If linking multiple speakers, connect all input sources to the first MLS800, plug the LINE OUT connection of first MLS800 to the LINE IN connection of next MLS800, and continue the daisy chain to the last MLS800. (This is common where multiple monitor mixers share the same feed from the mixing board.)
- To avoid "pops" when turning power on/off, the last MLS800 should be powered on last, and powered off first.

MLS800 MIXER PANEL



① CHANNEL 1

This input accepts balanced XLR plugs, and balanced/unbalanced TRS (tip/ring/sleeve) 1/4" plugs. Set the LINE/MIC switch to match the type of device you've connected to prevent distortion. When using an unbalanced 1/4" instrument jack, start with the button in LINE setting. Then, if the gain is too low, turn the volume down, select MIC, and slowly raise the volume.

② CHANNEL 2

This input accepts balanced XLR plugs, and balanced/unbalanced TRS (tip/ring/sleeve) 1/4" plugs. Set the GTR/MIC switch to match the type of device you've connected to prevent distortion. When using an unbalanced 1/4" instrument jack, start with the button in GTR setting. Then, if the gain is too low, turn the volume down, select MIC, and slowly raise the volume.

③ AUX/BT SWITCH

Set this switch to choose whether Channel 3 should take its audio from the AUX jacks, or Bluetooth (BT).

④ CHANNEL 3 AUX JACKS

The small 1/8" jack is perfect for connecting a portable audio device like a phone, computer, MP3, or CD player. The L (left

and R (right) jacks can be used for -10dB line level devices like keyboards or drum machines. For best results, do not use the 1/8" and L/R jacks simultaneously.

⑤ BLUETOOTH CONTROLS

To use a Bluetooth-enabled device like your phone or computer as the source for Input 3, you must first "pair" it with your MLS800.

- Power on your MLS800, and enable Bluetooth on your source device (phone, computer or other mobile device).
- From your source device, display its list of discovered Bluetooth devices, and look for "Harbinger" there. If you don't see it, try scrolling the list to make sure it's not hidden off-screen. If it's not listed, push and release the PAIR/play/pause button on your MLS800.
- Once you do see "Harbinger" on the list, select it, and your source device and your MLS800 will pair, while the MLS800 plays a chime and lights the Bluetooth LED blue.
- Play audio from your Bluetooth source device, and you'll now hear it via INPUT 3 of your MLS800, as the Bluetooth LED slowly flashes.
- Pressing the PAIR/play/pause button will now remotely control the play/pause action of your device, with the Bluetooth LED flashing during play, and solid while paused.

MLS800 MIXER PANEL

- To “disconnect” your Bluetooth device from Input 3, press and hold the PAIR/play/pause button. The LED will turn off and you will hear a chime.
- When you power on your MLS800, it will look for any previously paired device, and pair with it automatically if available.

6 CHANNEL 3 LEVEL KNOB

This knob sets the volume for Channel 3.

7 POWER/CLIP LED

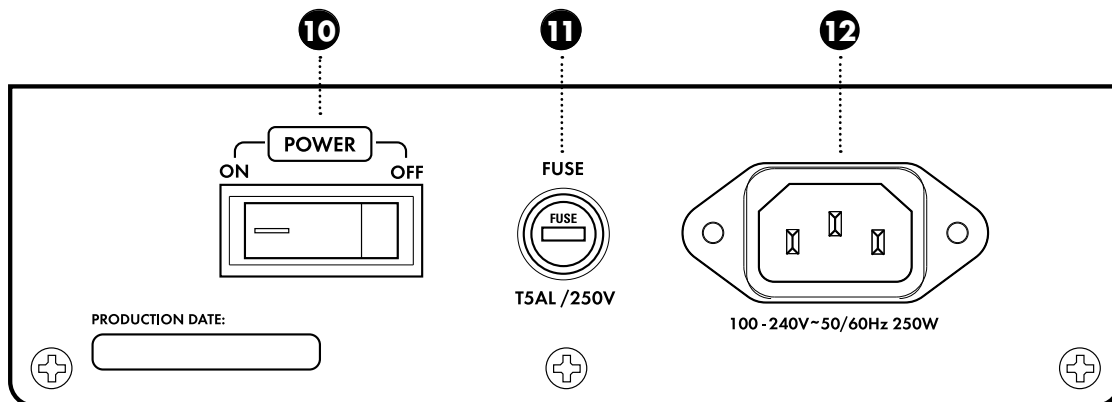
This LED is green to indicate that the MLS800’s AC power cord is connected to an electrical outlet, and the Power Switch is turned on. When audio is playing into the speaker if you see the LED become red this indicates that the speaker is being overdriven, and the limiter is engaged. If the CLIP LED is constantly lit, first reduce the Gain on the Input channels.

8 LOW AND HIGH EQ KNOBS

The LOW knob will provide +/- 12dB of boost or cut below 100Hz. Turn LOW up to add bass or warmth to the speaker. Turn LOW down to remove rumble and noise when the program material does not contain low frequencies, or when using the speaker as a floor monitor. The HIGH knob will provide +/- 12dB of boost or cut above 10kHz. Turn HIGH up to add clarity and definition to vocals, acoustic instruments, or backing tracks. Turn HIGH down to reduce hiss or feedback.

9 LINE OUT +4DB

The LINE OUT provides a +4db level signal and is used to link multiple MLS800 units together using the same audio signal. Connect the LINE OUT of the first MLS800 to a Line Input of the next MLS800 in the signal path.



10 POWER SWITCH

Turns the MLS800 ON or OFF.

11 FUSE CARRIER

Only replace the fuse when the device is disconnected from mains. Only use fuse of the same rating and power. The correct fuse is specified on the rear panel.

12 IEC POWER INPUT

The IEC AC cable plug inserts into this jack.

SPECIFICATIONS

Harbinger MLS800	
Amplifier	
Inputs	2 x XLR/TRS combo jacks, Stereo RCA & Stereo 1/8" inputs, Bluetooth
Outputs	XLR balanced line output
Power output	RMS 120W(SUB) RMS, 400W peak, +120W(SAT) RMS, 400W peak
Volume	Input Gain control per channel
EQ	Main out 2 band shelving EQ
LED's	Power / Clip indicator
Power Input	100-240V ~ 50/60 Hz switchable 250W
Amplifier	Class D amplifier with switching power design
Subwoofer	Active vented subwoofer
Frequency Response	55-200Hz
Max output SPL	114dB (at max amp output)
Impedance	4 Ohm
Driver	8" subwoofer, 1.5" vc 33Oz
Cabinet	PP plastic
Grill	1.0mm steel
Satellite	Passive full-range speaker
Frequency response	180-20kHz
Max output SPL	114dB
Impedance	4 ohms
Driver	6 x 2.75" full range line array
Cabinet	PP plastic
Grill	1.0mm steel
MEAS / G.W.	10.5 x 20 x 85.5CM/1PC/5KG (SAT) 52 x 41.5 x 52.5CM/1PC/13KG (SUB)

TROUBLESHOOTING

Mixer and Amplifier Will Not Turn On

Is the included power cord correctly connected to a power outlet?

Amplifier Turns Off Suddenly

Are any vents of the mixer blocked? Since inadequate venting will cause the product to overheat, turn off the mixer and uncover the vents to allow the product & its internal amplifier to cool. After a few minutes, the product should reset itself and can return to normal playback.

Is the POWER/CLIP LED flashing continuously?

If the POWER/CLIP LED is flashing, the amplifier is being used beyond its design capabilities. Turn off and on and resume playback.

No Sound From the Speaker(s)

Are external instruments and/or microphones correctly connected to inputs? Are those sources powered on, and is all cabling functional? Are the input gain controls of all active inputs set appropriately? If using Bluetooth, is the AUX/BLUETOOTH switch set to Bluetooth, have your source device and MLS800 been successfully paired, is your source device still active (not asleep or out of battery power), and playing out audio, with its output level control set appropriately?

Distortion/Noise in the Audio Signal, Low Output Level

You will generally get lowest noise (hiss) by having any source device's own output level set to max, and then making any reductions of volume via the MLS800 input gain knobs. Are the output levels of any source devices set appropriately? Are the INPUT GAIN controls for all inputs set to appropriate levels? Are the MIC/LINE switches of each input set appropriately? Are both the STEREO jack and the -10dB LINE IN jacks on INPUT 3 being used (connected) at the same time? If the POWER/CLIP LED is lighting, you should try adjusting each INPUT GAIN knob in turn to find which is the source of clipping.

Sound Level is too loud During Voice Announcements

Is the INPUT GAIN level for the input for the mic set too high? Are the levels for your other inputs set too low, either on the source device(s), or at their INPUT GAIN controls?



WARRANTY

Have a question about service, warranty or parts?

CALL **888-286-1809** (TOLL FREE)

So we may serve you better, please register on-line at www.HarbingerProAudio.com

2 YEAR HARBINGER LIMITED WARRANTY

Harbinger provides, to the original purchaser, a two (2) year limited warranty on materials and workmanship on all Harbinger cabinets, loudspeaker and amplifier components from the date of purchase.

For warranty support, please visit our website at www.HarbingerProAudio.com, or contact our Support Team at 888-286-1809 for assistance. Harbinger will repair or replace the unit at Harbinger's discretion.

This warranty does not cover service or parts to repair damage caused by neglect, abuse, normal wear and tear and cosmetic appearance to the cabinetry not directly attributed to defects in materials or workmanship. Also excluded from coverage are damages caused directly or indirectly due to any service, repair(s), or modifications of the cabinet, which has not been authorized or approved by Harbinger. This two (2) year warranty does not cover service or parts to repair damage caused by accident, disaster, misuse, abuse, burnt voice-coils, over-powering, negligence, inadequate packing or inadequate shipping procedures.

The sole and exclusive remedy of the foregoing limited warranty shall be limited to the repair or replacement of any defective or non-conforming component. All warranties including, but not limited to, the express warranty and the implied warranties of merchantability and fitness for a particular purpose are limited to the two (2) year warranty period. Some states do not allow limitation on how long an implied warranty lasts, so the above limitation may not apply to you. There are no express warranties beyond those stated here. In the event that applicable law does not allow the limitation of the duration of the implied warranties to the warranty period, then the duration of the implied warranties shall be limited to as long as is provided by applicable law. No warranties apply after that period.

Retailer and manufacturer shall not be liable for damages based upon inconvenience, loss of use of product, loss of time, interrupted operation or commercial loss or any other incidental or consequential damages including but not limited to lost profits, downtime, goodwill, damage to or replacement of equipment and property, and any costs of recovering, reprogramming, or reproducing any program or data stored in equipment that is used with Harbinger products. This guarantee gives you specific legal rights; you may have other legal rights, which vary from state to state.

Harbinger P.O. Box 5111, Thousand Oaks, CA 91359-5111

All trademarks and registered trademarks mentioned herein are recognized as the property of their respective holders

1610 16117896

FCC STATEMENTS

1. Caution: Changes or modifications to this unit not expressly approved by the party responsible for compliance could void the user's authority to operate the equipment.
2. Note: This equipment has been tested and found to comply with the limits for a Class B digital device, pursuant to Part 15 of the FCC Rules. These limits are designed to provide reasonable protection against harmful interference in a residential installation. This equipment generates, uses, and can radiate radio frequency energy and, if not installed and used in accordance with the instructions, may cause harmful interference to radio communications. However, there is no guarantee that interference will not occur in a particular installation. If this

equipment does cause harmful interference to radio or television reception, which can be determined by turning the equipment off and on, the user is encouraged to try to correct the interference by one or more of the following measures:

- Reorient or relocate the receiving antenna.
- Increase the separation between the equipment and receiver.
- Connect the equipment into an outlet on a circuit different from that to which the receiver is connected.
- Consult the dealer or an experienced radio/TV technician for help.