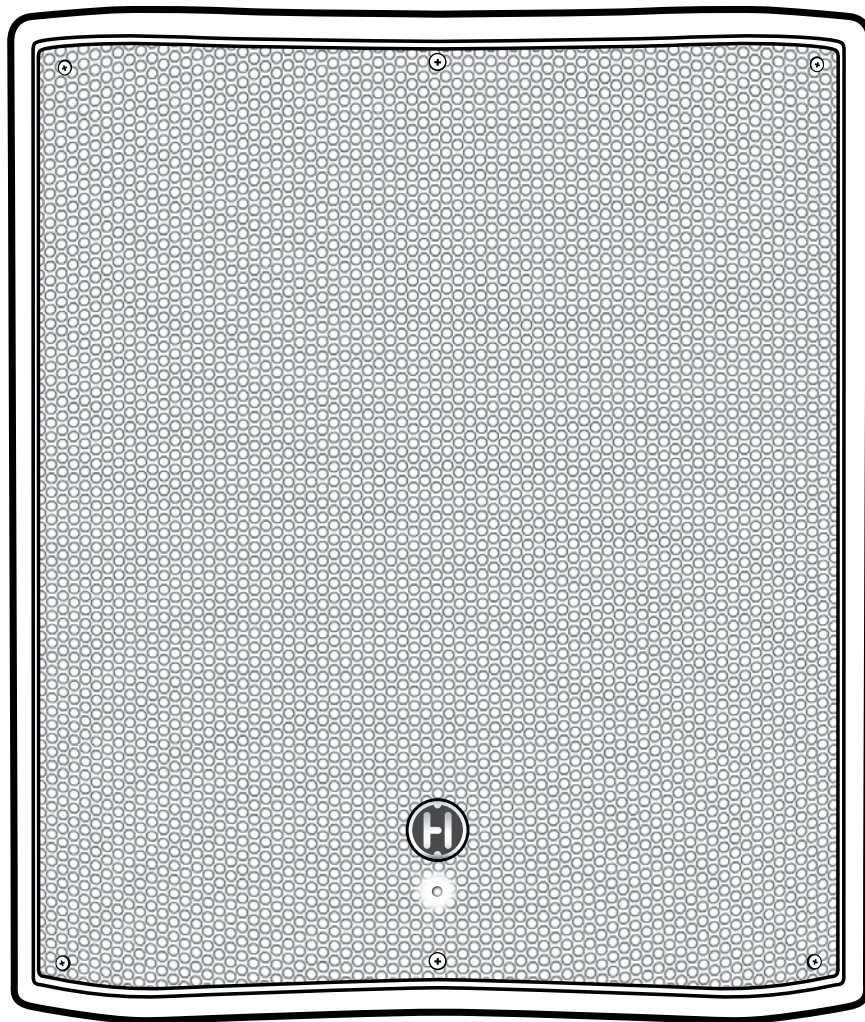


HARBINGER®

VaRi
SERIES™

POWERED SUBWOOFER



V2218S



TABLE OF CONTENTS

| | |
|------------------------------------|---|
| Important Safety Instructions..... | 3 |
| Quick Start Guide..... | 5 |
| VâRi Series Back Panel..... | 6 |
| Specifications..... | 7 |
| Warranty/FCC Statements..... | 8 |

WELCOME

CONGRATULATIONS on your purchase of a Harbinger VâRi series 1500 Watt powered subwoofer speaker. By following these guidelines and suggestions, your new Harbinger loudspeaker will provide you with many years of great sound and reliable service.

VâRi series V2218S is perfect for musicians, DJs, and anyone needing a flexible, portable subwoofer.

Your new VâRi Series powered subwoofer includes:

- 1500 watts, Class-D amplification
- 18" woofer with 3" voice coil
- Built-in 90/120Hz switchable crossover
- 0°/180° Phase input switch
- Optical limiter with front-mounted, defeatable LED clip indicator
- 2 XLR / 1/4" TRS combo inputs
- Selectable full-range link or high-pass XLR outputs
- Sleek and rugged steel grille
- Heavy-duty casters and balanced side handles
- Sturdy 1 3/8" pole mount

**MISSING
OR
DAMAGED
PARTS?**

HAVE QUESTIONS?

**HAVE
ASSEMBLY
QUESTIONS?**

OR VISIT OUR WEBSITE AT: HARBINGERPROAUDIO.COM



IMPORTANT SAFETY INSTRUCTIONS

Please keep this instruction manual for future reference and for the duration of owning the VâRi powered loudspeaker. Please carefully read and understand the instructions inside this owner's manual before attempting to operate your new powered loudspeaker.

This instruction manual includes essential safety information regarding the use and maintenance of the amplifier. Take special care to heed all warning symbols and signs inside this manual and those printed on the amplifier on the back of the loudspeaker.

WARNING

TO PREVENT FIRE OR SHOCK HAZARD, DO NOT EXPOSE THE AMPLIFIER TO WATER/MOISTURE, NOR SHOULD YOU OPERATE THE AMPLIFIER NEAR ANY WATER SOURCE.

The exclamation point triangular symbol is intended to alert the user to the presence of important operating and maintenance(servicing) instructions in the user manual accompanying the Amplifier.

The lightning flash with an arrow triangular symbol is intended to alert the user to the presence of non-insulated "dangerous voltage" within the product's enclosure, and may be of sufficient magnitude to constitute a risk of electric shock.

WARNING

Handle the power supply cord with care.

Do not damage or deform it as it may cause electric shock or malfunction when used. Hold the plug attachment when removing from wall outlet. Do not pull on the power cord.

IMPORTANT SAFETY PRECAUTIONS

1. READ INSTRUCTIONS - All the safety and operating instructions should be read before this product is operated.
2. RETAIN INSTRUCTIONS - The safety and operating instructions should be retained for future reference.
3. HEED WARNINGS - All warnings on the amplifier and in the operating instructions should be adhered to.
4. FOLLOW INSTRUCTIONS - All operating and use instructions should be followed.
5. DO NOT turn on the VâRi amplifier module before connecting all other external devices.
6. WATER AND MOISTURE - Moisture can damage the VâRi amplifier module and can cause corrosion of electrical contacts. The speaker system should not be used near water - for example, a bathtub, washbowl, kitchen sink, laundry tub, wet basement, or near a swimming pool, and the like.
7. CARTS AND STANDS - The speaker system should be used only with a cart or stand that is recommended by the manufacturer. A speaker and cart combination should be moved with care. Quick stops, excessive force, and uneven surfaces may cause the speaker and cart combination to overturn.
8. WALL OR CEILING MOUNTING - The product should never be mounted to a wall or ceiling.
9. HEAT - The loudspeaker on the back of the VâRi loudspeaker should be situated away from heat sources such as radiators, heat registers, stoves, or other sources (including amplifiers) that produce heat.

10. POWER SOURCES - This product should be operated only from the type of power source indicated on the rating label. If you are not sure of the type of power supply to your home, consult your product dealer or local power company.
11. GROUNDING OR POLARIZATION - Do not defeat the safety purpose of the polarization or grounding-type plug. The wide blade or the third prong is provided for your safety. If the provided plug does not fit your outlet, consult an electrician for replacement of the obsolete outlet. Do not defeat the safety purpose of the 3rd pin grounding prong.
12. POWER-CORD PROTECTION - Power supply cords should be routed so that they are not likely to be walked on or pinched by items placed upon or against them, paying particular attention to the cord in correspondence of plugs, convenience receptacles, and the point where they exit from the amplifier.
13. CLEANING - The speaker and amplifier should be cleaned only as recommended by the manufacturer. Clean by wiping with a dry cloth. Avoid getting water inside the speaker or amplifier.
14. NON-USE PERIODS - The power cord of the amplifier should be unplugged from the outlet when left unused for a long period of time.
15. OBJECT AND LIQUID ENTRY - Care should be taken so that objects do not fall and liquids are not spilled into the enclosure through openings.
16. DAMAGE REQUIRING SERVICE - The amplifier should be serviced by qualified service personnel when:
 - A. The power supply cord or the plug has been damaged; or
 - B. Objects have fallen, or liquid has been spilled into the amplifier; or
 - C. The amplifier has been exposed to rain; or
 - D. The amplifier does not appear to operate normally or exhibits a marked change in performance; or
 - E. The amplifier has been dropped, or the enclosure damaged.
17. Keep the speaker system out of extended or intense direct sun light.
18. No containers filled with any type of liquid should be placed on or near the speaker system.
19. SERVICING - The user should not attempt any service to the speaker and/or amplifier beyond that described in the operating instructions. All other servicing should be referred to qualified service personnel.
20. VENTILATION - Slots and openings in the amplifier are provided for ventilation and to ensure reliable operation of the product and to protect it from overheating. These openings must not be blocked or covered. The openings should never be blocked by placing the product on a bed, sofa, rug, or other similar surface. This product should not be placed in a built-in installation such as a bookcase or rack.
21. ATTACHMENTS - do not use attachments not recommended by the product manufacturer, as they may cause hazards.
22. ACCESSORIES - Do not place this product on an unstable cart, stand, tripod, bracket, or table. The product may fall, causing serious injury to a child or adult, and serious damage to the product. Use only with a cart, stand, tripod, bracket, or table recommended by the manufacturer, or sold with the product.



23. LIGHTNING – For added protection during a lightning storm, or when it is left unattended and unused for long periods of time, unplug it from the wall outlet. This will prevent damage to the product due to lightning and power-line surges.
24. REPLACEMENT PARTS – When replacement parts are required, be sure the service technician has used replacement parts specified by the manufacturer or have the same characteristics as the original part. Unauthorized substitutions may result in fire, electric shock, or other hazards.
25. SAFETY CHECK – Upon completion of any service or repairs to this product, ask the service technician to perform safety checks to determine that the product is in proper operating condition.
26. FUSES – Always use the correct rating and type of fuse as indicated on the rear panel of the amplifier. Note the proper rating fuse is determined by the AC line voltage in the country this speaker system is being operated. COMPLETELY DISCONNECT POWER CORD FROM AMPLIFIER BEFORE ATTEMPTING TO REPLACE FUSE!
27. HARBINGER VÂRI SERIES POWERED LOUDSPEAKERS ARE NOT DESIGNED FOR TEMPORARY OR PERMANENT SUSPENSION. ANY ATTEMPT TO SUSPEND A VÂRI SERIES CABINET COULD RESULT IN INJURY OR DEATH.

To prevent electric shock, do not use a polarized plug with an extension cord, receptacle or other outlet unless the blades can be fully inserted to prevent blade exposure.

| | | | |
|---|--|--|--|
| | CAUTION RISK OF ELECTRIC SHOCK DO NOT OPEN | AVIS RISQUE DE CHOC ELECTRIQUE NE PAS OUVRIR | |
| <p>CAUTION: To reduce the risk of electric shock, do not remove chassis. No user-serviceable parts inside. Refer servicing to qualified service personnel.</p> <p>AVERTISSEMENT: Pour réduire les risques d'incendie et d'électrocution, ne pas exposer ce matériel à la pluie ou à l'humidité.</p> | | | |

THIS SYMBOL IS INTENDED TO ALERT THE USER TO THE PRESENCE OF IMPORTANT OPERATING AND MAINTENANCE (SERVICING) INSTRUCTIONS IN THE LITERATURE ACCOMPANYING THE UNIT.

APPARATUS SHALL NOT BE EXPOSED TO DRIPPING OR SPLASHING AND THAT NO OBJECTS FILLED WITH LIQUIDS, SUCH AS VASES, SHALL BE PLACED ON THE APPARATUS.

HEARING DAMAGE AND PROLONGED EXPOSURE TO EXCESSIVE SPLs

Harbinger VâRi Series powered loudspeakers are capable of producing extremely loud volume levels that can cause permanent hearing damage to performers, production crews or the audience. Hearing protection is recommended during long-term exposure to high SPLs (sound pressure levels).

Remember, if it hurts, it is definitely too loud! Long term exposure to high SPLs first causes temporary threshold shifts; limiting your ability to hear the actual loudness and exercise good judgment. Repeated long term exposure to high SPLs will cause permanent hearing loss.

Please note the recommended exposure limits in the accompanying table. More information about these limits is available on the US government Occupational Safety and Health (OSHA) website at: www.osha.gov.

Permissible Noise Exposures (1)

| Duration per day, hours | Sound level dBA slow response |
|-------------------------|-------------------------------|
| 8 | 90 |
| 6 | 92 |
| 4 | 95 |
| 3 | 97 |
| 2 | 100 |
| 1.5 | 102 |
| 1 | 105 |
| 0.5 | 110 |
| 0.25 or less | 115 |

QUICK START GUIDE

SETTING UP/HELPFUL TIPS

- Position the VâRi speaker in the desired location, and ensure the speaker is stable.
- Make sure the Power Switch is OFF.
- Make certain Level knob is turned down.

MAKING THE CONNECTIONS

- Plug connections to INPUT 1 and 2 from OUTPUTS of signal source.

POWERING UP

- Turn on the power to any devices plugged into Input 1 or Input 2.
- Power ON the speaker.

- Slowly turn the Level knob to 12 o'clock.
- Slowly turn up the source volume to the desired level.

SIG/CLIP LIGHT

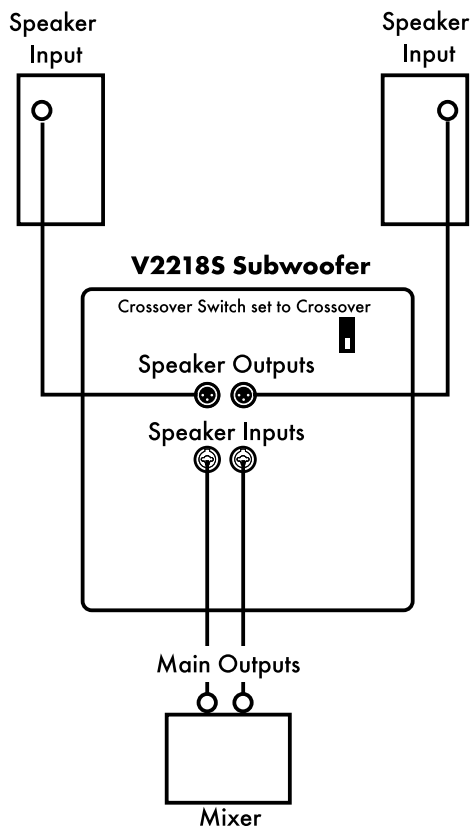
- The SIG/CLIP LED will light up BLUE when the speaker is receiving a signal. If it is distorting, the LED will turn RED and the MASTER VOLUME should be turned down.

LINKING MULTIPLE SUBWOOFERS

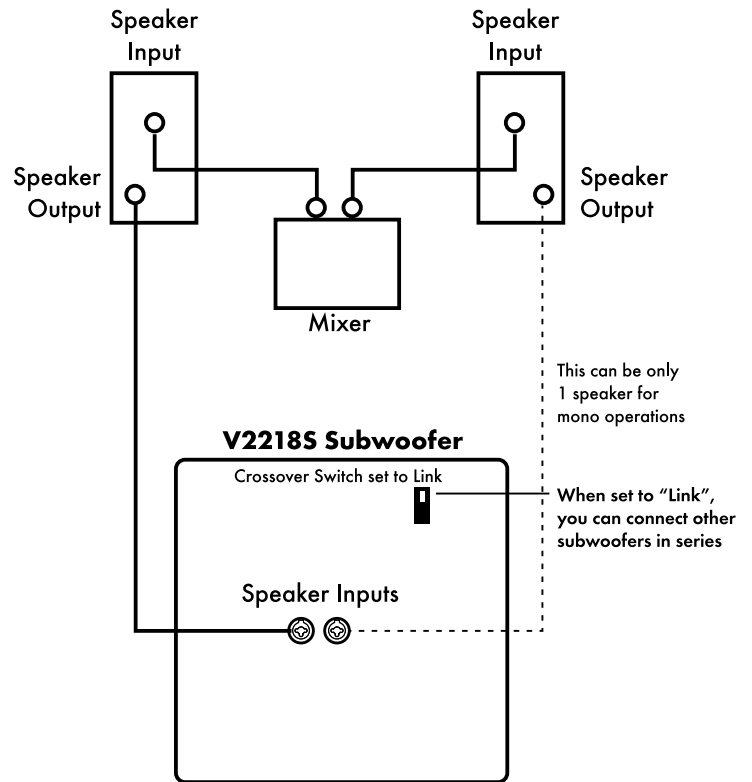
- If linking multiple subwoofers, plug the Line OUTPUT connection of speaker 1 to the INPUT connection of speaker 2, and continue the daisy chain to the next speaker.
- Turn the Power ON in the order of the audio signal to prevent unwanted "pops". First ON / Last OFF.

HOOK UP DIAGRAMS

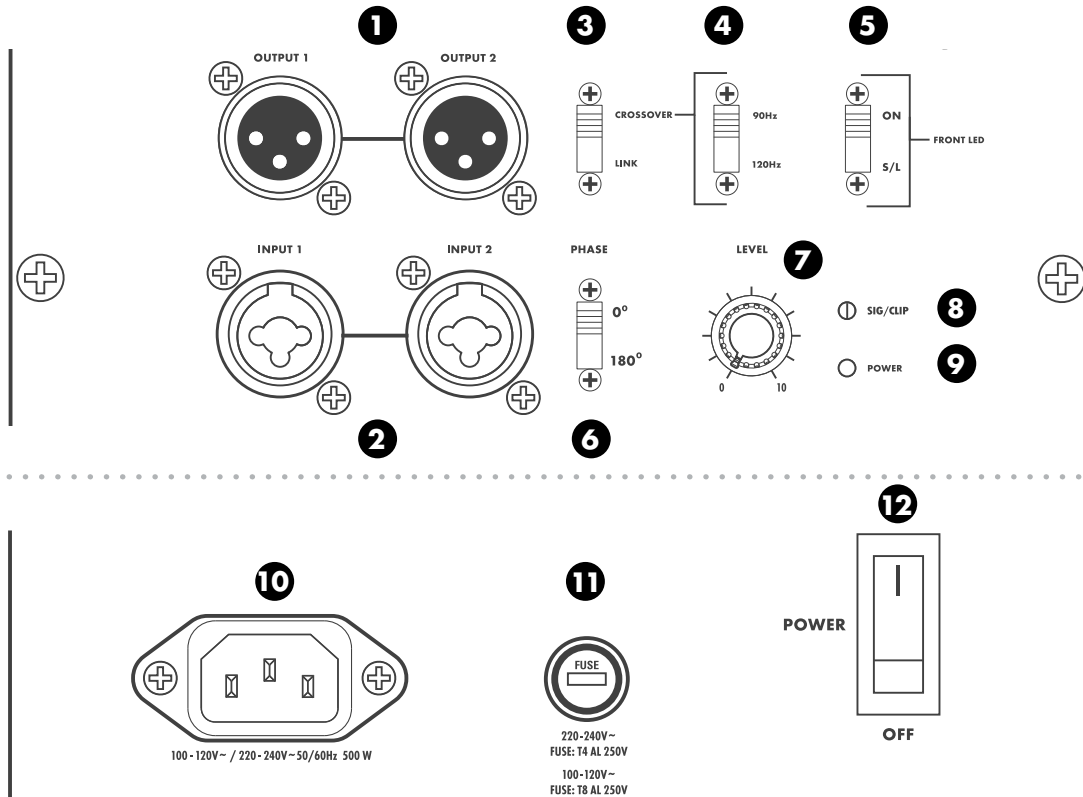
Typical Mono Sub system using the internal crossover



Full Range speakers with Sub



VâRi SERIES BACK PANEL



1 OUTPUTS 1 AND 2

When set to CROSSOVER, the XLR jacks will send the signal coming from the input through the built-in crossover. You can also select the crossover frequency. The output signal should then be used to play the filtered frequencies with your standard full frequency speakers. When set to LINK, the crossover function is disabled.

2 INPUTS 1 AND 2

These combo inputs are designed for either TRS and XLR balanced plugs at line level either from a mixer or another speaker. The source can either be stereo or mono.

3 CROSSOVER LINK SELECTION SWITCH

Switches between the internal CROSSOVER or the LINK mode to send the inputs directly to the outputs.

4 CROSSOVER SWITCH SELECTOR

This switch will determine the crossover point where the high pass filter will be set to output high frequency content to the outputs. The lower frequencies under the crossover point will be played by the internal speaker in the subwoofer.

5 LED DEFEAT SWITCH

The front-mounted LED has two functions. This switch toggles between those functions.

- ON position = Front-mounted LED indicates when power is on.
- S/L position = Front-mounted LED indicates when the limiter is engaged. (If LED turns red in this position, the speaker is distorting.)

6 PHASE SELECTION SWITCH

The Phase switch lets you alter the polarity of the input signal. When the Phase switch is in its default "0" setting, phase is unaffected.

7 LEVEL

This knob affects the volume of the internal speaker.

8 SIGNAL INDICATOR

The SIG/CLIP LED will light up BLUE when the speaker is receiving a signal. If it is distorting, the LED will turn RED and the MASTER VOLUME should be turned down.

9 POWER LED

The Power LED indicates that the VâRi speaker's AC power cord is connected to an electrical outlet, and the Power Switch is turned on.

10 IEC POWER INPUT

Plug in the IEC AC cable here.

11 FUSE CARRIER

Main fuse housing.

12 POWER SWITCH

Turns the VâRi subwoofer ON or OFF.



SPECIFICATIONS

| HARBINGER VâRi Series | V2218S | |
|--|--------------------|---|
| Amplifier | Inputs | 2 XLR / TRS LINE input |
| | Outputs | 2 XLR line output |
| | Power Output | 500 w/RMS @ 8 Ohms / 1500 Watts Peak |
| | Volume | Main volume control |
| | Power Input | 100V/240V ~ 50/60Hz switchable |
| | Features | Class D+ switching power design |
| | | Phase switchable (0/180°) |
| LED power/signal/clip indicator | | |
| Crossover design for satellite (90Hz or 120Hz) | | |
| Speaker | Type | Active vented subwoofer |
| | Frequency Response | 35-150Hz |
| | Max Output SPL | 125dB |
| | Impedance | 8 Ohm |
| | Woofer | 18" subwoofer, 3" VC 85Ω (MA18SW) |
| | Cabinet | Plywood with black painted finish |
| | Grille | 1.5mm steel |
| | Pole | 35mm stand pole |
| | Features | Rubber corner to protect the edge |
| (4) 3" wheel with brake control | | |
| Packaging Information | Packaging Size | H: 32.5" x W: 26.5" x D: 29.7" 784mm x 647mm x 660mm |
| | Net Weight | 90 lbs./41 kg |



WARRANTY

Have a question about service, warranty or parts?

Call **888-286-1809** (Toll Free)

So we may serve you better, please register on-line at www.HarbingerProAudio.com

2 YEAR HARBINGER LIMITED WARRANTY

Harbinger provides, to the original purchaser, a two (2) year limited warranty on materials and workmanship on all Harbinger cabinets, loudspeaker and amplifier components from the date of purchase.

For warranty support, please visit our website at **www.HarbingerProAudio.com**, or contact our Support Team at **888-286-1809** for assistance. Harbinger will repair or replace the unit at Harbinger's discretion.

This warranty does not cover service or parts to repair damage caused by neglect, abuse, normal wear and tear and cosmetic appearance to the cabinetry not directly attributed to defects in materials or workmanship. Also excluded from coverage are damages caused directly or indirectly due to any service, repair(s), or modifications of the cabinet, which has not been authorized or approved by Harbinger. This two (2) year warranty does not cover service or parts to repair damage caused by accident, disaster, misuse, abuse, burnt voice-coils, over-powering, negligence, inadequate packing or inadequate shipping procedures.

The sole and exclusive remedy of the foregoing limited warranty shall be limited to the repair or replacement of any defective or non-conforming component. All warranties including, but not limited to, the express warranty and the implied warranties of merchantability and fitness for a

particular purpose are limited to the two (2) year warranty period. Some states do not allow limitation on how long an implied warranty lasts, so the above limitation may not apply to you. There are no express warranties beyond those stated here. In the event that applicable law does not allow the limitation of the duration of the implied warranties to the warranty period, then the duration of the implied warranties shall be limited to as long as is provided by applicable law. No warranties apply after that period.

Retailer and manufacturer shall not be liable for damages based upon inconvenience, loss of use of product, loss of time, interrupted operation or commercial loss or any other incidental or consequential damages including but not limited to lost profits, downtime, goodwill, damage to or replacement of equipment and property, and any costs of recovering, reprogramming, or reproducing any program or data stored in equipment that is used with Harbinger products. This guarantee gives you specific legal rights; you may have other legal rights, which vary from state to state.

Harbinger P.O. Box 5111, Thousand Oaks, CA 91359-5111

All trademarks and registered trademarks mentioned herein are recognized as the property of their respective holders.

1603 16108289

FCC STATEMENTS

1. Caution: Changes or modifications to this unit not expressly approved by the party responsible for compliance could void the user's authority to operate the equipment.
2. Note: This equipment has been tested and found to comply with the limits for a Class B digital device, pursuant to Part 15 of the FCC Rules. These limits are designed to provide reasonable protection against harmful interference in a residential installation. This equipment generates, uses, and can radiate radio frequency energy and, if not installed and used in accordance with the instructions, may cause harmful interference to radio communications. However, there is no guarantee that interference will not occur in a particular installation. If this

equipment does cause harmful interference to radio or television reception, which can be determined by turning the equipment off and on, the user is encouraged to try to correct the interference by one or more of the following measures:

- Reorient or relocate the receiving antenna
- Increase the separation between the equipment and receiver
- Connect the equipment into an outlet on a circuit different from that to which the receiver is connected
- Consult the dealer or an experienced radio/TV technician for help