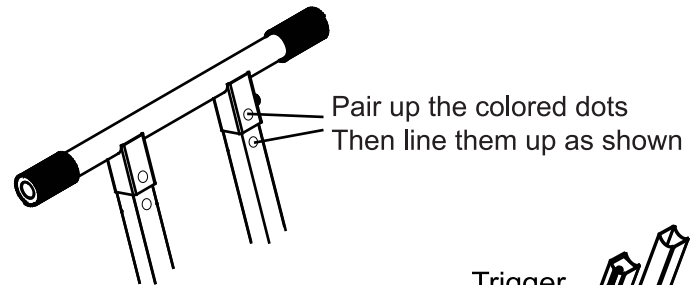


# PROLINE™

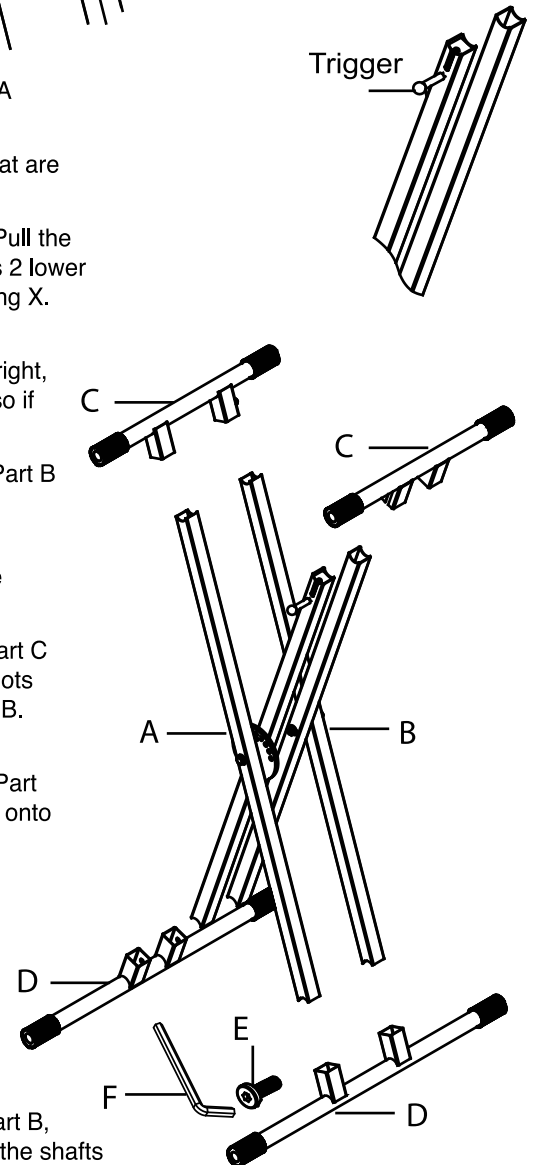
## ASSEMBLY INSTRUCTIONS: PL4KD

### List of Parts:

A	Front X Brace w Trigger
B	Rear X Brace
C	Keyboard Support Bars (White Dot & Green Dot)
D	Base Support Bars (Pink Dot & Purple Dot)
E	Hex Head Screws (x4)
F	Allen Wrench



- Choose a large, flat and non-slip area on which to unpack and assemble your new stand. A carpeted surface works great!
- Start by laying out all the parts from the box and please notice the 4 sets of colored dots that are placed on each individual Part A through D.
- First pick up Part A and make sure the trigger is oriented upwards and on your right side. Pull the trigger up and allow the X Brace to open 2 clicks. Stand up the now X Shaped brace on its 2 lower points and lean it against an appropriate surface for a moment. It should look like a standing X.
- Next pick up Part B and open it up slightly, making sure the colored dots match the colored dots on Part A: With the Trigger on your right side, White and Pink dots should be on your right, Green and Purple dots on your left. Remember Part B can rotate on its pivoting fastener, so if the dots don't line up, give the brace a twist until the colored dots are on the correct sides.
- Holding Part A in one hand, place Part B about 3 inches directly behind, making sure that Part B is opened slightly to match Part A. Now you have 2 large X's: one in front of the other.
- Note: For reference, If facing the stand from the front (Trigger is on the right hand side) all Hex Screws will be inserted and tightened from the back of the stand and will not be on the side facing the user.
- Place your hand or forearm across Part A and Part B so they do not fall and now pick up Part C with the White dots and place it over the two shafts of Part A and Part B, matching up the dots as in Figure 1. Apply pressure to Part C till it completely settles onto the shafts of Part A & B. Tighten with 2 Hex Head Screws (Part E) using the included Allen Wrench (Part F).
- Then pick up Part C with the Green dots, again placing it over the two remaining shafts of Part A and Part B that also feature green dots. Apply pressure to Part C till it completely settles onto the shafts of Part A & B. Tighten with 2 Hex Head Screws (Part E) using the included Allen Wrench (Part F).
- Next pick up the stand as it is and flip it upside down so that the Support Bars you just attached are now on the floor.
- Now pick up Part D with the Pink dots and place it over the two shafts of Part A and Part B, matching up the dots as in Figure 1. Apply pressure to Part C till it completely settles onto the shafts of Part A & B. Tighten with 2 Hex Head Screws (Part E) using the included Allen Wrench (Part F).
- Finally, pick up Part D with the Purple dots and place it over the two shafts of Part A and Part B, matching up the dots as in Figure 1. Apply pressure to Part C till it completely settles onto the shafts of Part A & B. Tighten with 2 Hex Head Screws (Part E) using the included Allen Wrench (Part F).



Your stand is now assembled and ready for use!